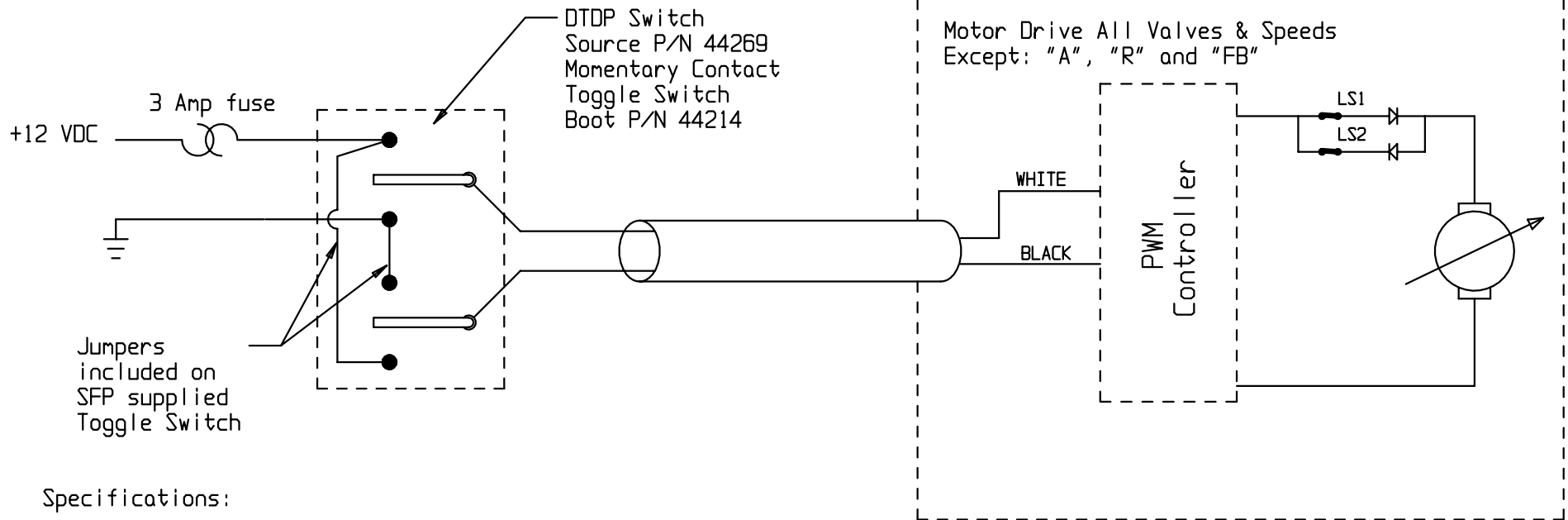


NOTICE - SOURCE FLUID POWER CLAIMS PROPRIETARY RIGHTS ON THE INFORMATION DISCLOSED ON THIS DRAWING. IT IS ISSUED IN CONFIDENCE FOR ENGINEERING INFORMATION ONLY AND MAY NOT BE REPRODUCED OR USED TO MANUFACTURE ANYTHING HEREON WITHOUT DIRECT WRITTEN PERMISSION FROM SOURCE FLUID POWER TO THE USER.

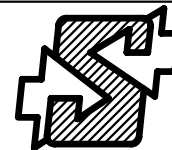
REV	DATE	REVISION	BY



Specifications:

Supply power : 12VDC, 370 mA nominal, 2.75 A In rush

Operation: 12 VDC + (positive) on black wire and 12VDC -(negative) on white wire will drive valve open
12 VDC + on white wire and 12 12VDC - on black wire will drive valve closed
Power will internally diconnect at end of travel and respond only to reversed polarity.



SOURCE FLUID POWER

331 Lake Hazeltine Drive
Chaska, MN 55318
952-368-3866 (Fax) 952-448-3392

DRAWN BY GLM	DATE 7/1/06	TITLE Typical Wiring Diagram Switch Control
-----------------	----------------	---