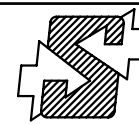
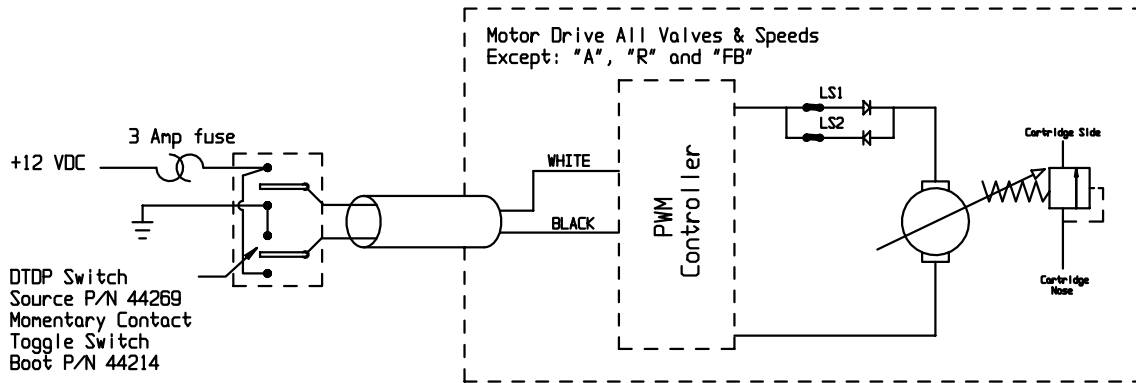


NOTICE - SOURCE FLUID POWER CLAIMS PROPRIETARY RIGHTS ON THE INFORMATION DISCLOSED ON THIS DRAWING. IT IS ISSUED IN CONFIDENCE FOR ENGINEERING INFORMATION ONLY AND MAY NOT BE REPRODUCED OR USED TO MANUFACTURE ANYTHING HEREON WITHOUT DIRECT WRITTEN PERMISSION FROM SOURCE FLUID POWER TO THE USER.



**SOURCE FLUID POWER**  
 331 Lake Hazeltine Drive  
 Chaska, MN 55318  
 952-368-3866 (Fax) 952-448-3392

Wiring Diagram for Customer Provided Double-Pole-Double-Throw Switch

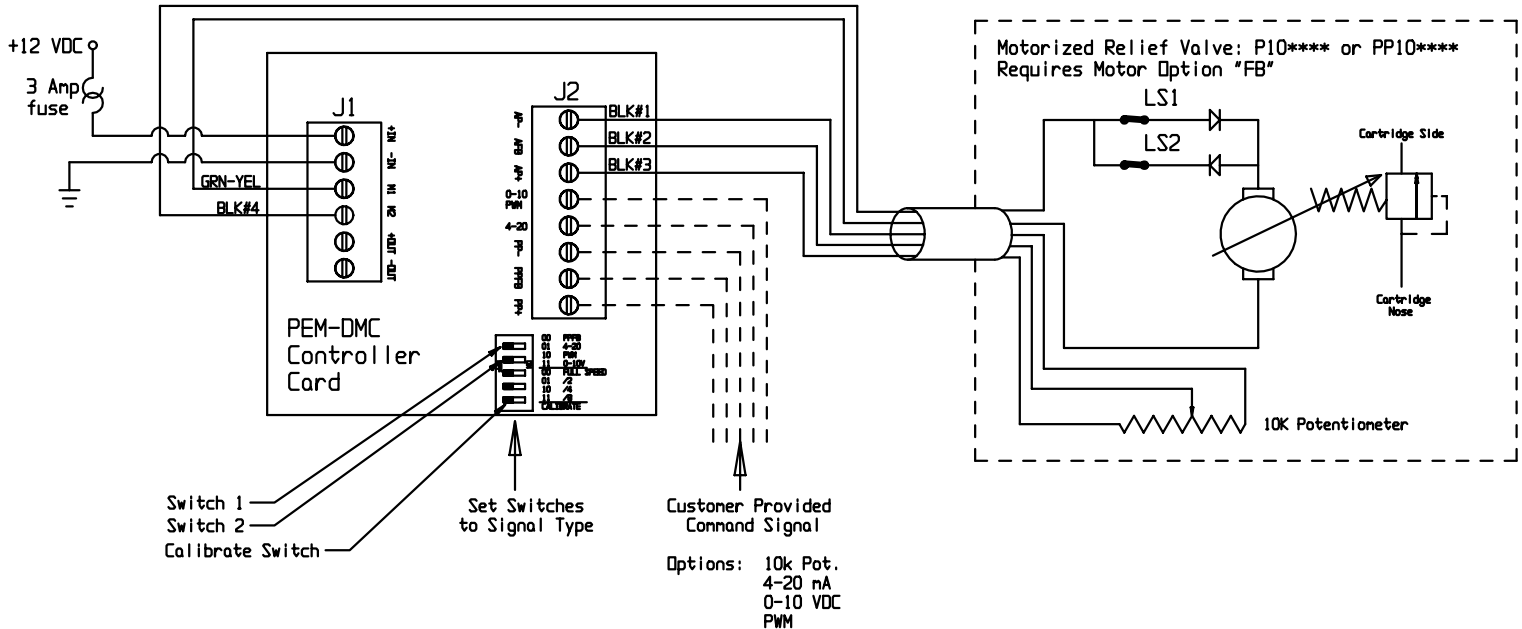


Specifications:

Supply power : 12VDC, 370 mA nominal, 2.75 A In rush

Operation: +12 VDC on black wire and ground on white wire will increase pressure.  
 +12 VDC on white wire and ground on black wire will decrease pressure.  
 Power will internally disconnect at end of travel and respond only to reversed polarity.

Wiring Diagram for Optional PEM-DMC Digital Motor Controller



Notes:

See separate sheets for information and calibration procedures.  
 Digital Motor Controller requires "FB" motor drive option.  
 Consult factory for application possibilities.