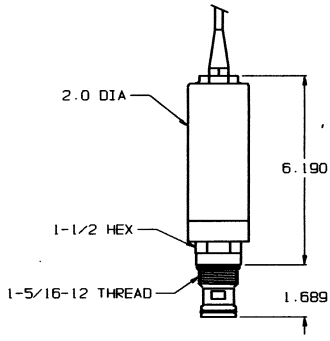
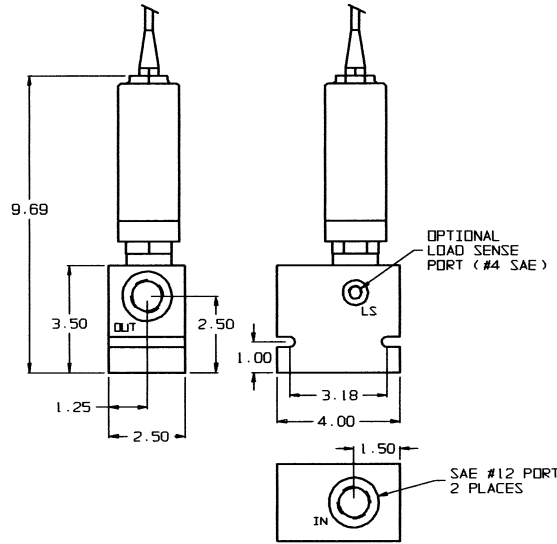
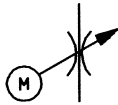


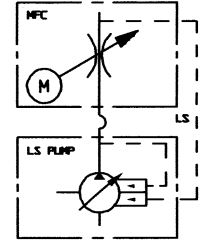
# F16



MFC-16 CARTRIDGE



F16----10183LS



TYPICAL LOAD SENSE CIRCUIT

## FUNCTION

- Motorized Flow Control Cartridge for restrictive type flow control, non-pressure compensated.

## APPLICATIONS

- Any circuit requiring restrictive flow control with electric remote control.
- The MFC Cartridge is an excellent valve to use for remote flow control of a load sense (pressure and flow compensated pump). See schematic.

## OPERATING PRESSURE

- 3000 psi maximum (5000 psi with factory approval).

## FLOW RANGE

(Based on 100 psi  $\Delta P$  with valve fully open)

- 0-20 GPM -20 Option
- 0-35 GPM -35 Option
- 0-50 GPM -50 Option

## CONSTRUCTION

- Nose, body and spool: steel. Exposed parts plated
- Motor container assembly anodized aluminum
- Pressure balanced, bidirectional flow

## OPERATING SPEED

(Fully closed to fully open @ 12V DC)

- 3.5 seconds (-03 option)
- 7 seconds (-07 option)
- 24 seconds (-24 option)
- 48 seconds (-48 option)

## VOLTAGE

- 12V DC
- For 24V DC operation, add 100-ohm resistor in series with motor

## CURRENT DRAW

- Less than 120 MA typical @ 12V DC

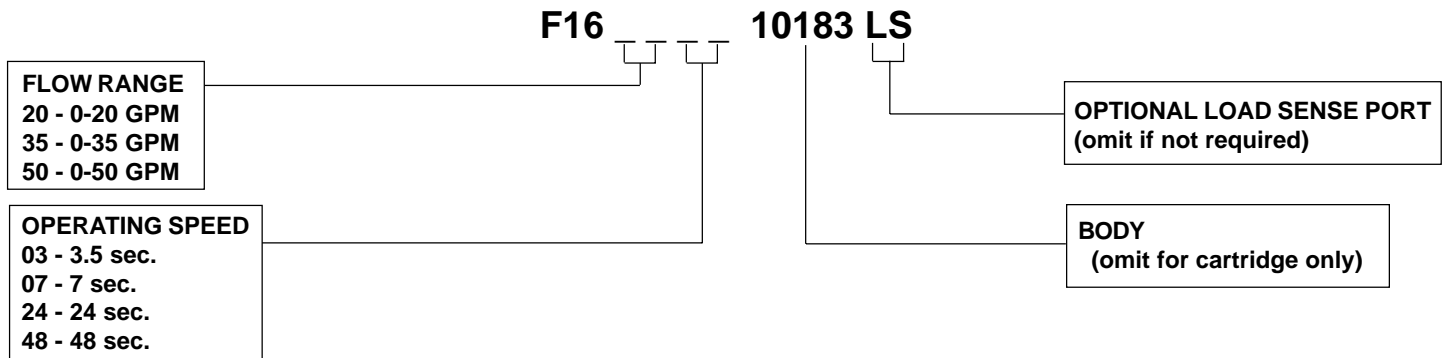
## CARTRIDGE WEIGHT

- MFC-16: 1.6 lb.

## CAVITY

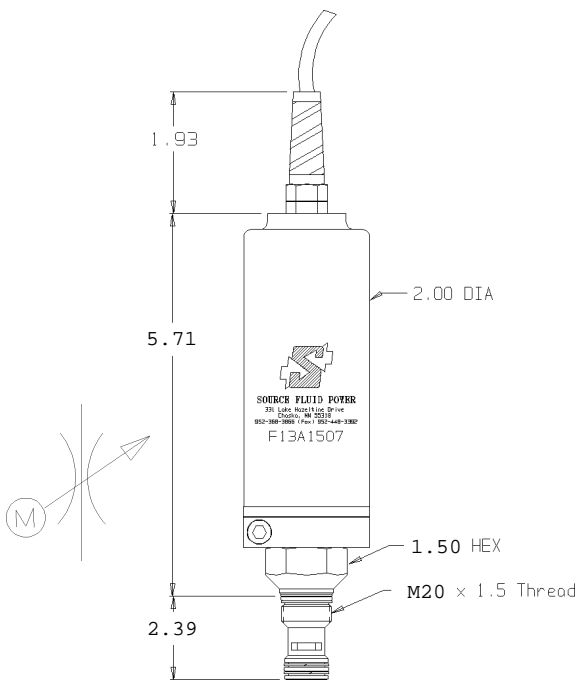
- SFP 16-2, Industry common cavity
- 1 15/16-12 UN thread x 1.13 nose diameter

## HOW TO ORDER...

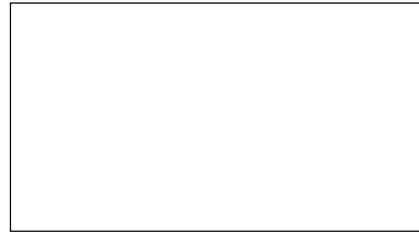


SOURCE FLUID POWER • 331 LAKE HAZELTINE DRIVE • CHASKA, MN 55318  
 Telephone: (952) 368-3866 • Fax: (952) 448-3392

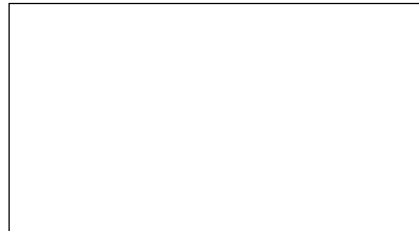
# F16A



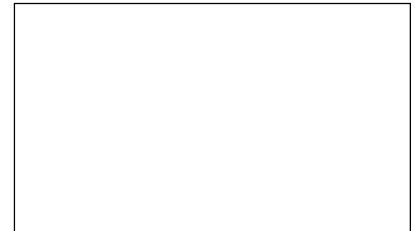
F16A20XX Pressure Drop Curve



F16A35XX Pressure Drop Curve



F16A50XX Pressure Drop Curve



## FUNCTION

- Motorized Flow Control Cartridge for restrictive type flow control, non-pressure compensated.

## APPLICATIONS

- Any circuit requiring restrictive flow control with electric remote control.
- The MFC Cartridge is an excellent valve to use for remote flow control of a load sense (pressure and flow compensated pump). See schematic.

## OPERATING PRESSURE

- 3000 psi maximum (5000 psi with factory approval).

## FLOW RANGE

(Based on 100 psi  $\Delta P$  with valve fully open)

- 0-20 GPM -20 Option
- 0-35 GPM -35 Option
- 0-50 GPM -50 Option

## CONSTRUCTION

- Nose, body and spool: steel. Exposed parts plated
- Motor container assembly anodized aluminum
- Pressure balanced, bidirectional flow

## OPERATING SPEED

(Fully closed to fully open @ 12V DC)

- 1.5 seconds (-02 option)
- 3.5 seconds (-03 option)
- 7 seconds (-07 option)
- 24 seconds (-24 option)
- 48 seconds (-48 option)

## VOLTAGE

- 12VDC
- For 24V DC operation, add 100-ohm resistor in series with motor (minimum 3 watts)

## CURRENT DRAW

- Less than 120 MA typical @ 12V DC

## CARTRIDGE WEIGHT

- F16A: 1.6 lb.

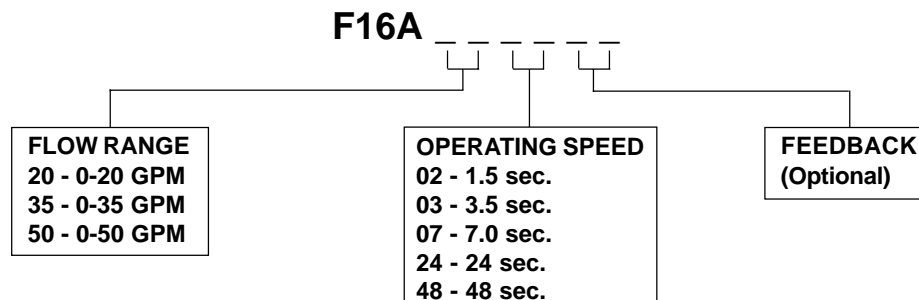
## CAVITY

- Sun T16A cavity
- Locating shoulder must be no more than .062" below surface

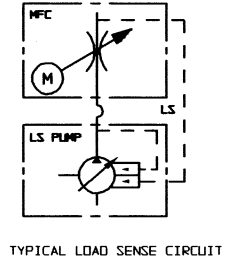
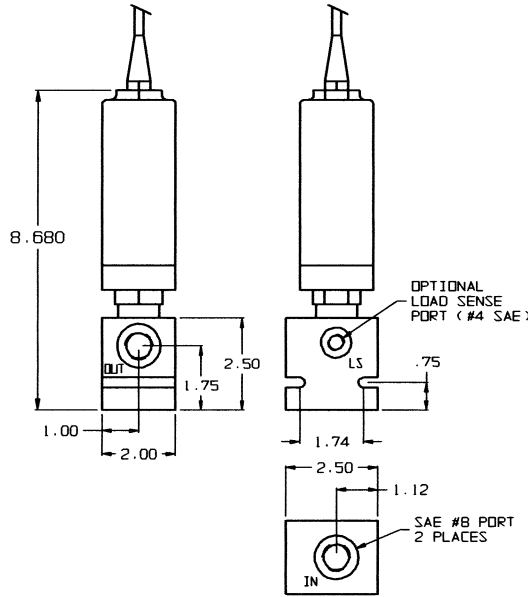
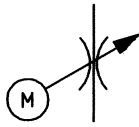
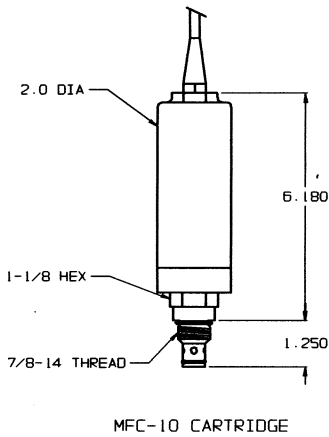
## OPTIONAL POSITION FEEDBACK

- This option provides an electrical signal to indicate relative position of the valve from closed to open
- Signal is a variable resistance ranging from 33 ohms fully closed to 240 ohms fully open

## HOW TO ORDER...



# F10



## FUNCTION

⊙ Motorized Flow Control Cartridge for restrictive type flow control, non-pressure compensated.

## APPLICATIONS

- ⊙ Any circuit requiring restrictive flow control with electric remote control.
- ⊙ The MFC Cartridge is an excellent valve to use for remote flow control of a load sense (pressure and flow compensated pump). See schematic.

## OPERATING PRESSURE

⊙ 3000 psi maximum (5000 psi with factory approval).

## FLOW RANGE

(Fully closed to fully open @ 12V DC)

- ⊙ 0-5 GPM 05 option
- ⊙ 0-15 GPM 15 option

## CONSTRUCTION

- ⊙ Nose, body and spool: steel. ⊙ Exposed parts plated
- ⊙ Motor container assembly anodized aluminum
- ⊙ Pressure balanced, bidirectional flow

## OPERATING SPEED

(Fully closed to fully open @ 12V DC)

- ⊙ 3.5 seconds (-03 option)
- ⊙ 7 seconds (-07 option)
- ⊙ 24 seconds (-24 option)
- ⊙ 48 seconds (-48 option)

## VOLTAGE

- ⊙ 12V DC
- ⊙ For 24V DC operation, add 100-ohm resistor in series with motor

## CURRENT DRAW

⊙ Less than 120 MA typical @ 12V DC

## CARTRIDGE WEIGHT

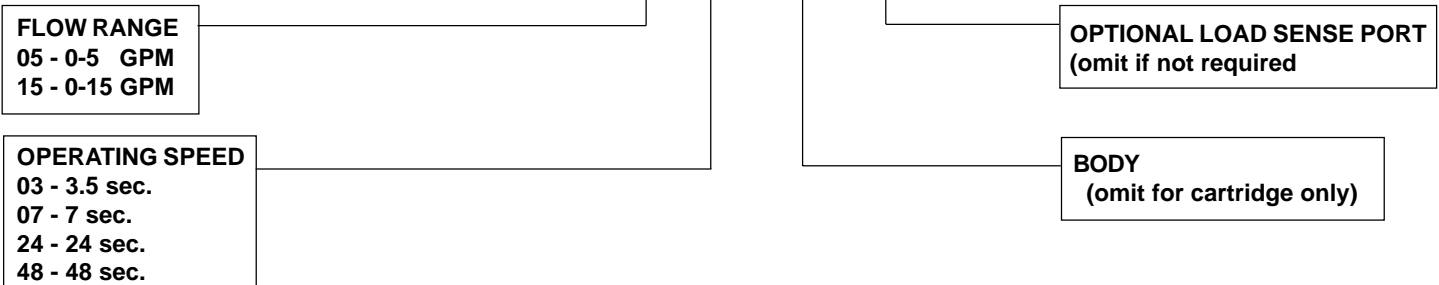
⊙ MFC-10: 1.3 lb.

## CAVITY

- ⊙ SFP 10-2, Industry common cavity
- 7/8-14 UNF thread x .625 nose diameter

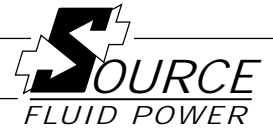
## HOW TO ORDER...

**F10**      **10182 LS**

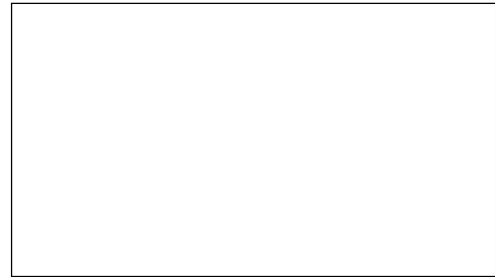


SOURCE FLUID POWER • 331 LAKE HAZELTINE DRIVE • CHASKA, MN 55318  
 Telephone: (952) 368-3866 • Fax: (952) 448-3392

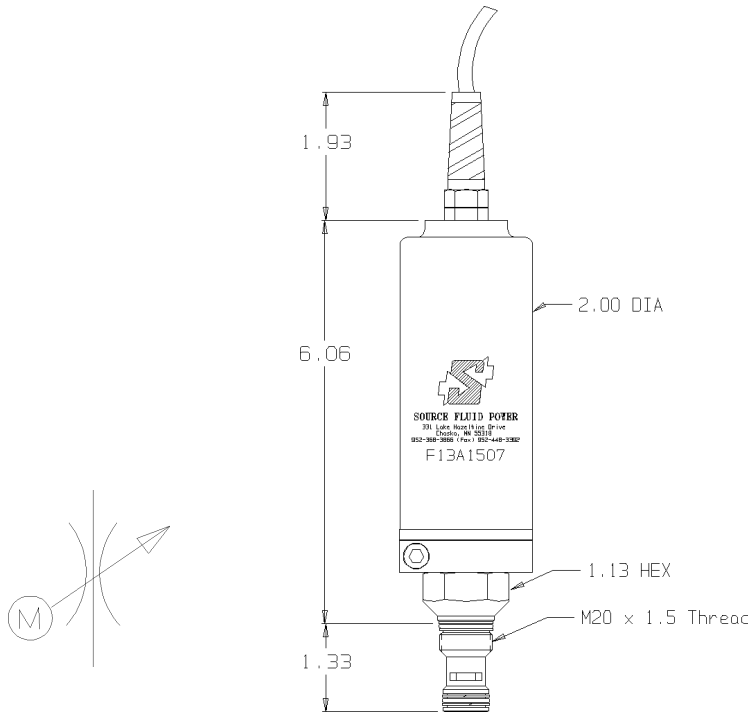
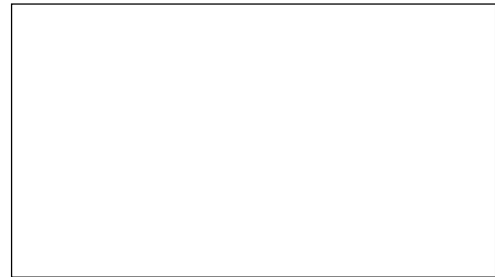
# F13A



F13A15XX Pressure Drop Curve



F13A05XX Pressure Drop Curve



## FUNCTION

- Motorized Flow Control Cartridge for restrictive type flow control, non-pressure compensated.

## APPLICATIONS

- Any circuit requiring restrictive flow control with electric remote control.
- The MFC Cartridge is an excellent valve to use for remote flow control of a load sense (pressure and flow compensated pump). See schematic.

## OPERATING PRESSURE

- 3000 psi maximum (5000 psi with factory approval).

## FLOW RANGE

(Fully closed to fully open @ 12V DC)

- 0-5 GPM 05 option
- 0-15 GPM 15 option

## CONSTRUCTION

- Nose, body and spool: steel. Exposed parts plated
- Motor container assembly anodized aluminum
- Pressure balanced, bidirectional flow

## OPERATING SPEED

(Fully closed to fully open @ 12V DC)

- 1.5 seconds (-02 option)
- 3.5 seconds (-03 option)
- 7 seconds (-07 option)
- 24 seconds (-24 option)
- 48 seconds (-48 option)

## VOLTAGE

- 12V DC
- For 24V DC operation, add 100-ohm resistor in series with motor (minimum 3 watts)

## CURRENT DRAW

- Less than 120 MA typical @ 12V DC

## CARTRIDGE WEIGHT

- F13A: 1.3 lb.

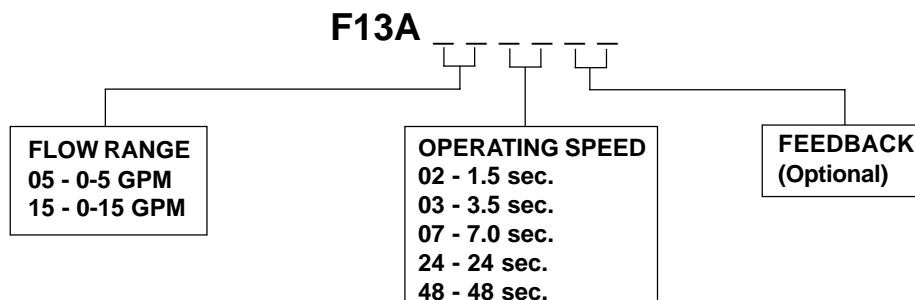
## CAVITY

- Sun T13A Cavity
- Locating shoulder must be no more than .062" below surface

## OPTIONAL POSITION FEEDBACK

- This option provides an electrical signal to indicate relative position of the valve from closed to open
- Signal is a variable resistance ranging from 33 ohms fully closed to 240 ohms fully open

## HOW TO ORDER...



SOURCE FLUID POWER • 331 LAKE HAZELTINE DRIVE • CHASKA, MN 55318  
Telephone: (952) 368-3866 • Fax: (952) 448-3392