

Crossover Relief Valve

Part Number 10148 - XXXX

Factory Preset Pressure

Port Size

- 3/4-16 O-ring ports (4) (SAE -8)

Flow

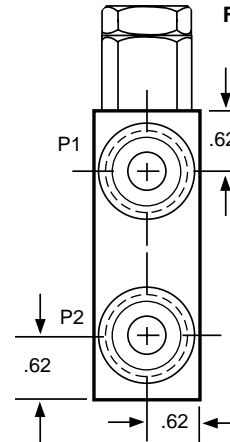
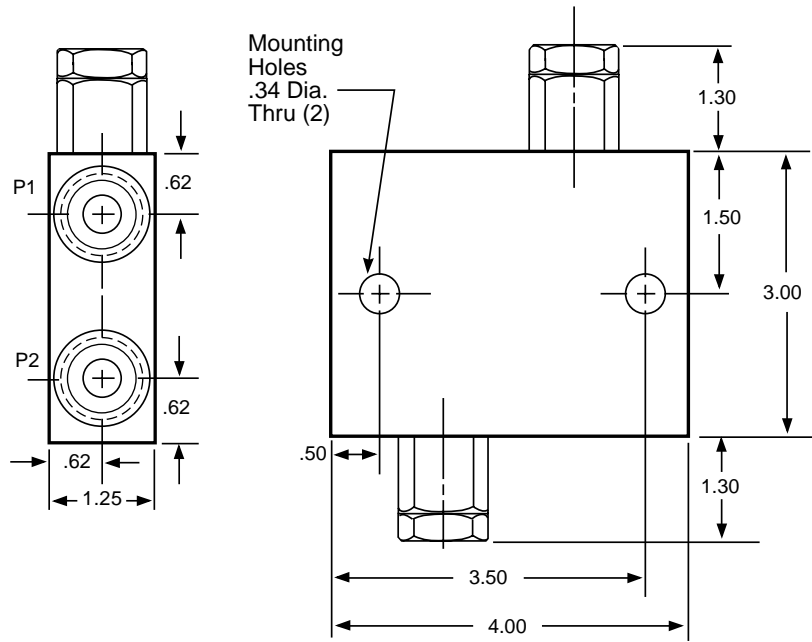
- To 18 GPM

Pressure

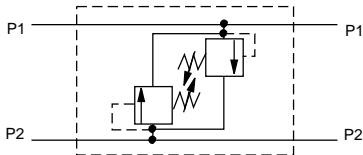
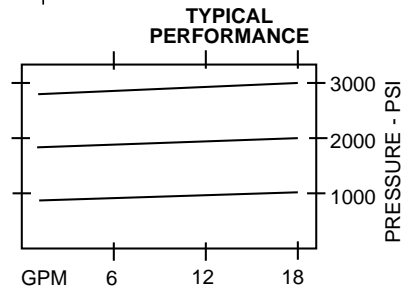
- 3000 PSI Maximum

Material

- 6061-T6 Aluminum



Differential Piston Relief Valves



SOURCE FLUID POWER INC
 331 LAKE HAZELTINE DRIVE
 CHASKA, MINNESOTA 55318

Phone: (952) 368-3866
 Fax: (952) 448-3392