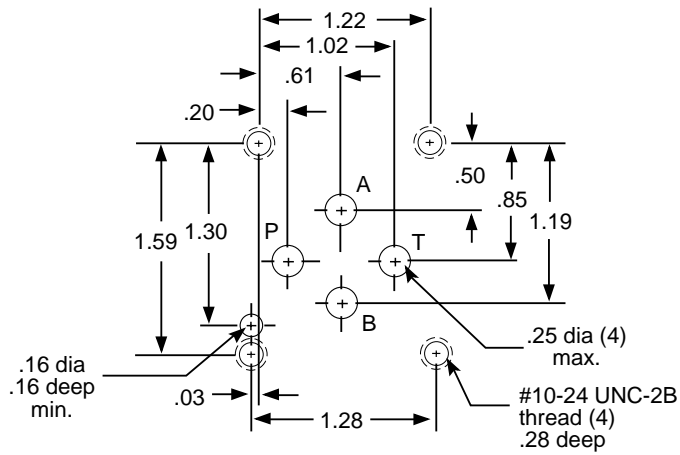
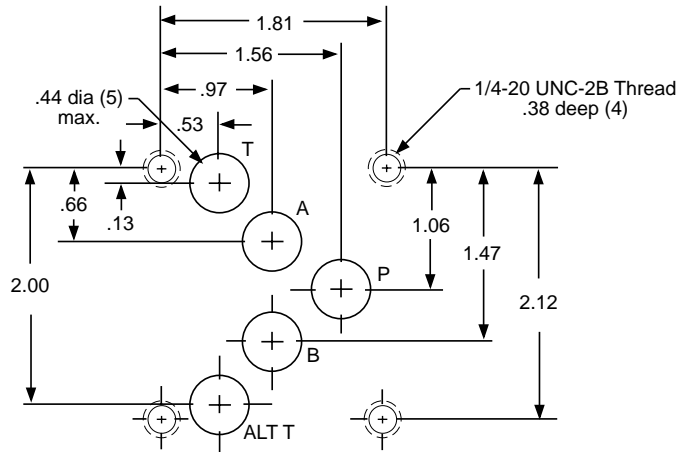


# Valve Mounting Interfaces

## D03 (OLD D01)

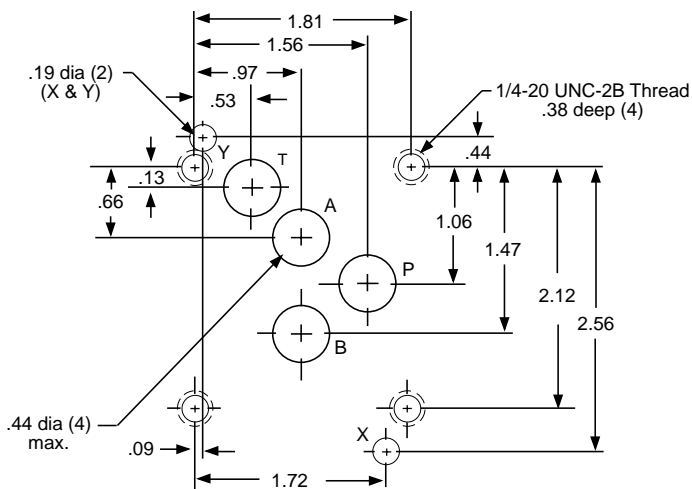


## D05 (OLD D02)

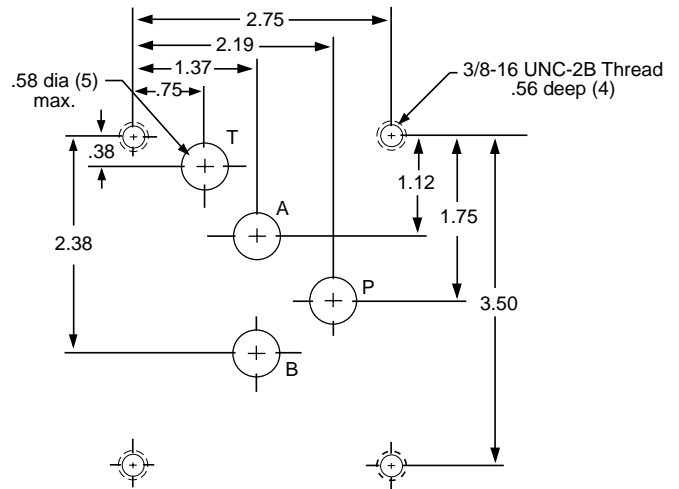


The Alt. T port is only provided on cover plates, adaptors and tapping plates.

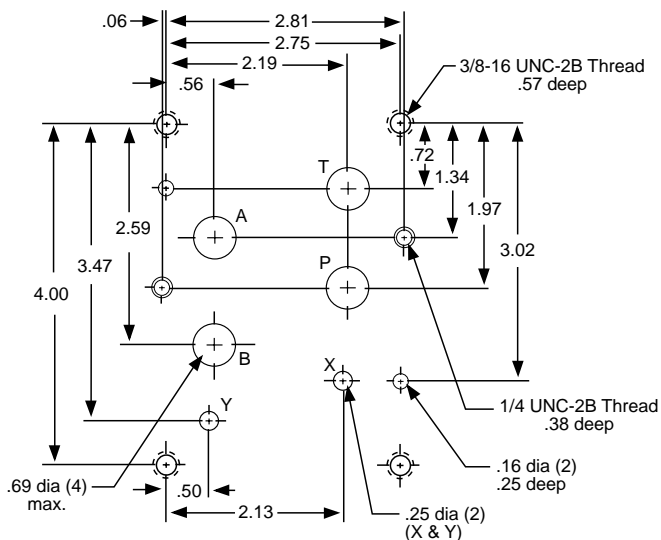
## D05H (OLD D02H)



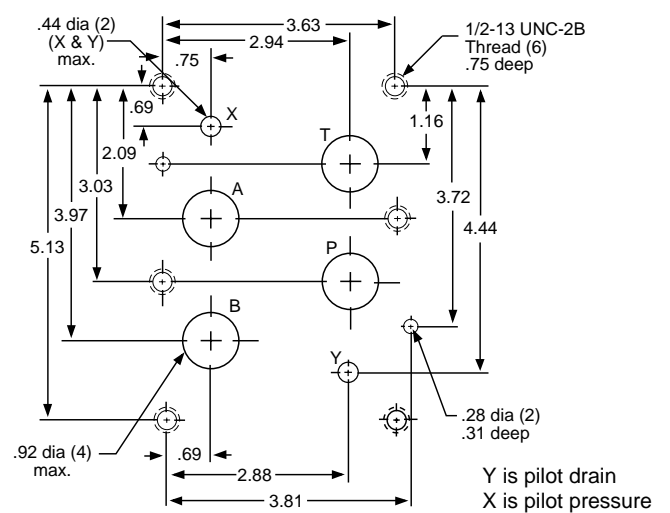
## D06 (OLD D03)



## D07 (OLD D04)



## D08 (OLD D06)

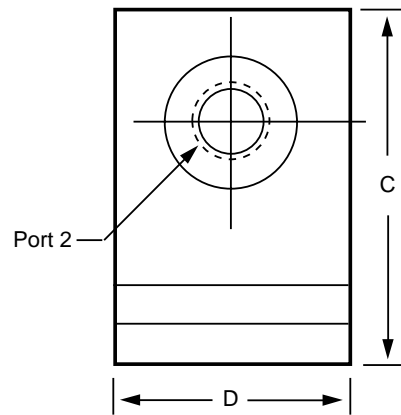


Y is pilot drain  
X is pilot pressure

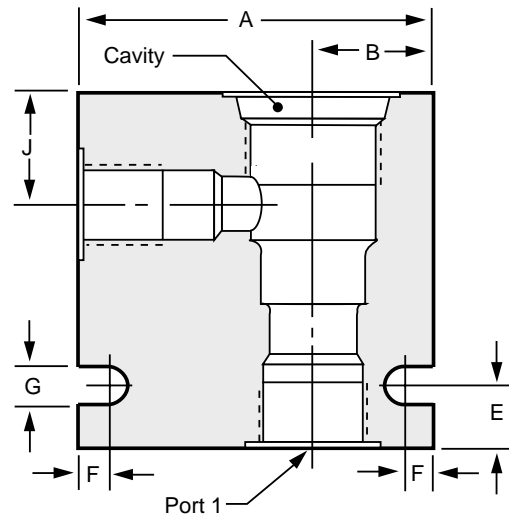
# In-Line Valve Bodies

For cartridge type 2-way valves

6061-T6  
Aluminum



Pressure Rating  
3500 psi



Part Number	Cavity Threads	Port 1&2	A	B	C	D
10180-**	3/4-16	SAE-6	2.50	1.00	2.00	1.50
10181-**	3/4-16	SAE-6	2.50	1.00	2.00	1.50
10182-**	7/8-14	SAE-8	2.50	1.12	2.50	2.00
10183-**	1 5/16-12	SAE-12	4.00	1.50	3.50	2.50
10184-**	1 5/8-12	SAE-16	4.00	1.50	3.50	3.00

Part Number	E	F	G	J
10180-**	.75	.38	.28	.59
10181-**	.75	.38	.28	.61
10182-**	.75	.38	.28	.75
10183-**	1.00	.41	.34	1.00
10184-**	1.00	.41	.34	1.28

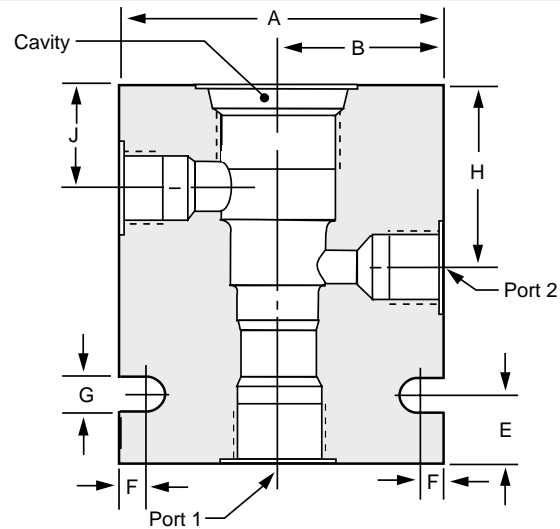
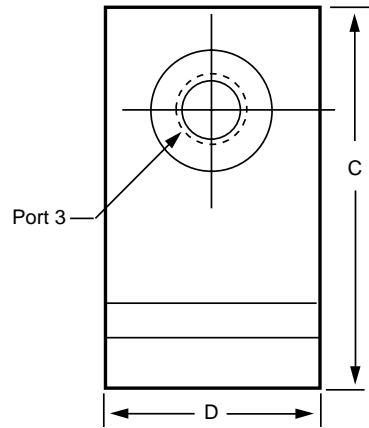
Manufacturer	Cavity	Part No.	Manufacturer	Cavity	Part No.
Modular	C1-8-2	10180-01	Compact Controls	124	10180-02
	C2-8-2	10181-01		109	10182-02
	C-10-2	10182-01		108	10183-02
	C-16-2	10183-01		103	10184-02
	C-20-2	10184-01			
Parker	C08-2	10180-03	Waterman	12-2	10180-04
	C09-2	10181-03		12-2A	10181-04
	C10-2	10182-03		21-2	10183-04
	C16-2	10183-03		26-2	10184-04
	C20-2	10184-03	Delta	B Series	10180-06
Hydraforce	VC08-2	10180-05		E Series	10182-06
	VC10-2	10182-05		J Series	10183-06
	VC16-2	10183-05	Fluid Power Systems	10-2	10182-07
Fluid Controls	SC-316	10182-08		16-2	10183-07

# In-Line Valve Bodies

For cartridge type 3-way valves

6061-T6  
Aluminum

Pressure Rating  
3500 psi



Part Number	Cavity Threads	Port 1&2	Port 3	A	B	C
10170-**	3/4-16	SAE-6	SAE-6	2.50	1.25	3.00
10171-**	7/8-14	SAE-8	SAE-6	3.00	1.50	3.00
10172-**	7/8-14	SAE-8	SAE-6	3.00	1.50	3.00
10173-**	1 5/16-12	SAE-12	SAE-6	4.00	2.00	3.50
10174-**	1 5/16-12	SAE-12	SAE-12	4.00	2.00	4.50
10175-**	1 5/8-12	SAE-16	SAE-16	4.50	2.25	5.25

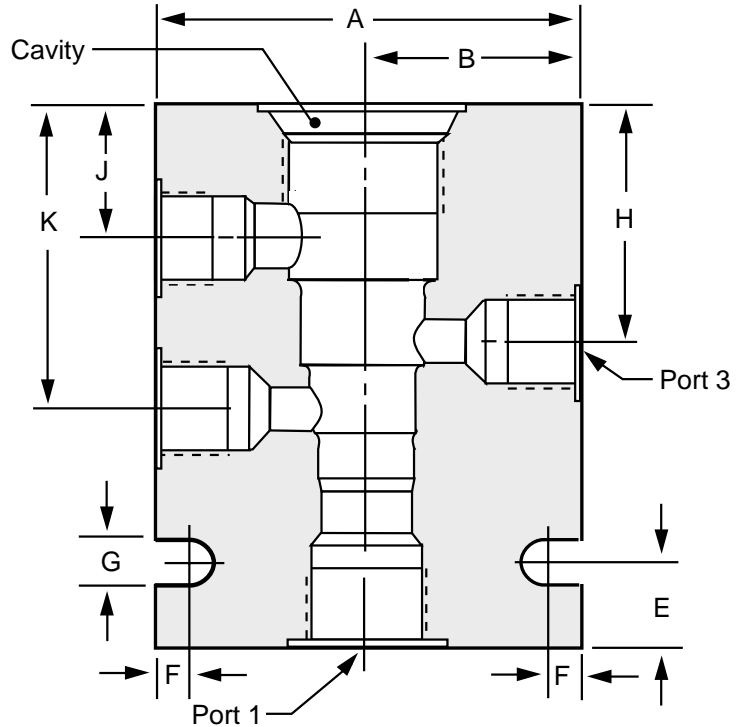
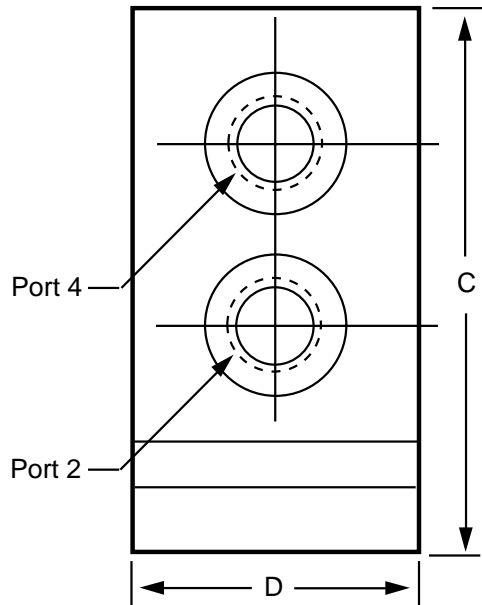
Part Number	D	E	F	G	H	J
10170-**	1.50	.75	.38	.28	1.14	.58
10171-**	2.00	.75	.38	.28	1.38	.75
10172-**	2.00	.75	.38	.28	1.41	.59
10173-**	2.50	1.00	.41	.34	1.50	.69
10174-**	2.50	1.00	.41	.34	2.12	1.00
10175-**	3.00	1.00	.41	.34	2.84	1.25

Manufacturer	Cavity	Part No.	Manufacturer	Cavity	Part No.
Modular	C-10-3	10171-01	Compact Controls	132	10170-02
	C-10-3S	10172-01		104	10171-02
	C-16-3S	10173-01		107	10173-02
	C-16-3	10174-01		113	10174-02
	C-20-3	10175-01		114	10175-02
Parker	C08-3	10170-03	Waterman	12-3	10170-04
	C10-3	10171-03		14-3	10172-04
	C16-3S	10173-03		21-3	10174-04
	C16-3	10174-03	Delta	F Series	10171-06
Hydraforce	VC08-3	10170-05	Fluid Power Systems	10-3	10171-07
	VC10-3	10171-05			
	VC16-3S	10173-05			

# In-Line Valve Bodies

For cartridge type 4-way valves

6061-T6  
Aluminum



Pressure Rating  
3500 psi

Part Number	Cavity Threads	Ports (4)	A	B	C	D
10160-**-	3/4-16	SAE-6	2.50	1.25	3.00	1.50
10161-**-	7/8-14	SAE-8	3.00	1.50	3.50	2.00
10162-**-	1 5/16-12	SAE-12	4.50	2.25	5.50	2.50
10163-**-	1 5/8-12	SAE-16	5.00	2.50	7.00	3.00

Part Number	E	F	G	H	J	K
10160-**-	.50	.38	.28	1.15	.59	1.70
10161-**-	.50	.38	.28	1.38	.75	2.00
10162-**-	1.00	.41	.34	2.12	1.00	3.25
10163-**-	1.00	.41	.34	2.84	1.25	4.47

Manufacturer	Cavity	Part No.	Manufacturer	Cavity	Part No.
Modular	C-10-4	10161-01	Compact Controls	133	10160-02
	C-16-4	10162-01		111	10161-02
	C-20-4	10163-01		112	10162-02
		115		10163-02	
Parker	C08-4	10160-03	Waterman	12-4	10160-04
	C10-4	10161-03		14-4	10161-04
	C16-4	10162-03			
Hydraforce	VC08-4	10160-05	Delta	G Series	10161-06
	VC10-4	10161-05			
	VC16-4	10162-05	Fluid Power Systems	10-4	10161-07