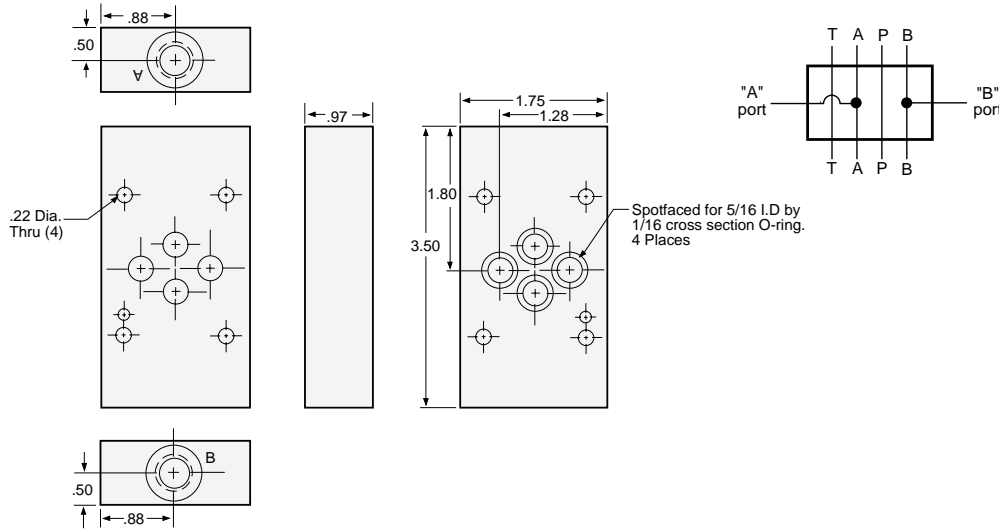


Tapping Plate

D03 (Old D01)

A & B Ports



Part Number 10134

Port Size

- 9/16-18 O-ring ports (2)
(SAE -6)

Pressure Rating

- 5000 psi

Material

- 6061-T6 Aluminum

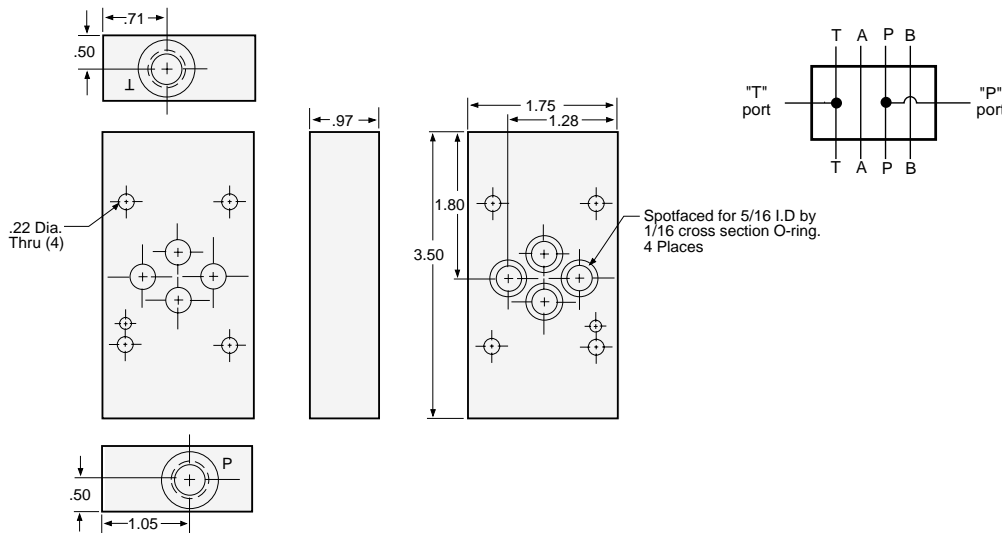
Items Furnished with Tapping Plate

- Four (4) Viton O-rings (90000)
AS 568A-011
- One (1) Roll Pin (90006)

Tapping Plate

D03 (Old D01)

P & T Ports



Part Number 10135

Port Size

- 9/16-18 O-ring ports (2)
(SAE -6)

Pressure Rating

- 5000 psi

Material

- 6061-T6 Aluminum

Items Furnished with Tapping Plate

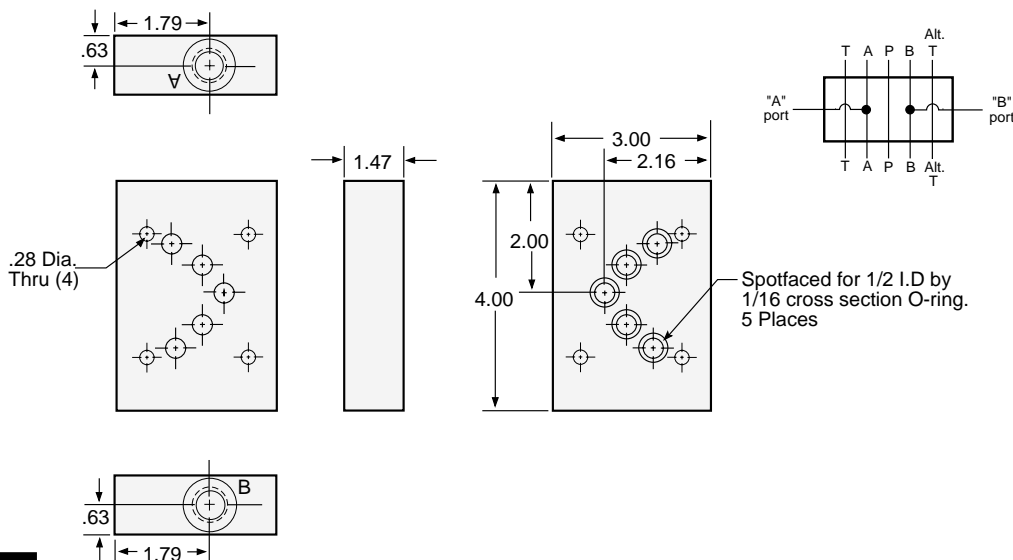
- Four (4) Viton O-rings (90000)
AS 568A-011
- One (1) Roll Pin (90006)

The flow capacity of the P & T ports is somewhat limited due to internal space limitations.

Tapping Plate

D05 (Old D02)

A & B Ports



Part Number 10136

Port Size

- 3/4-16 O-ring ports (2)
(SAE -8)

Pressure Rating

- 4500 psi

Material

- 6061-T6 Aluminum

Five (5) Viton O-rings (90003) are furnished with each tapping plate AS 568A-014

Tapping Plate

D05 (Old D02)

P & T Ports

Part Number 10137

Port Size

- 3/4-16 O-ring ports (2)
(SAE -8)

Pressure Rating

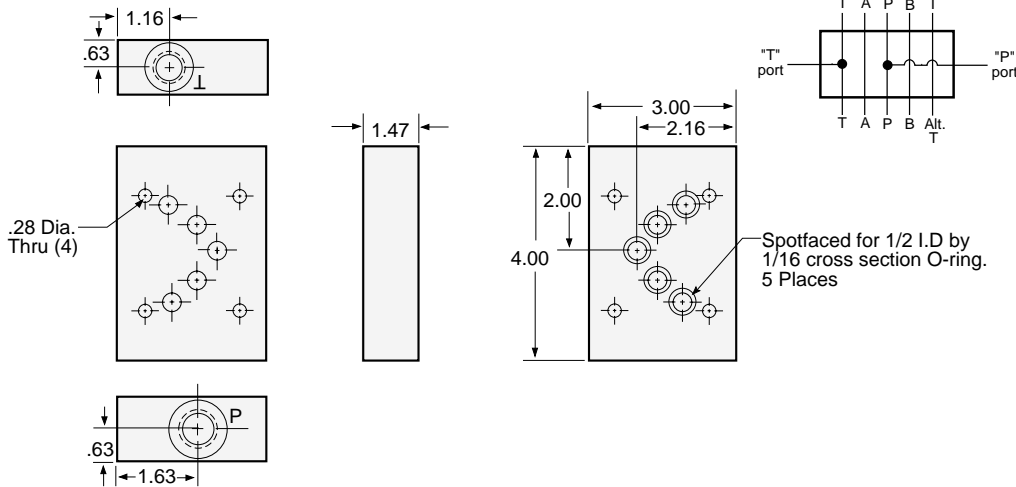
- 4500 psi

Material

- 6061-T6 Aluminum

Five (5) Viton O-rings (90003) are furnished with each subplate.
AS 568A-014

The flow capacity of the P port only is somewhat limited due to internal space limitations.



Tapping Plate

D08 (Old D06)

A & B Ports

Part Number 10138

Port Size

- 3/4-16 O-ring ports (2)
(SAE -8)

Pressure Rating

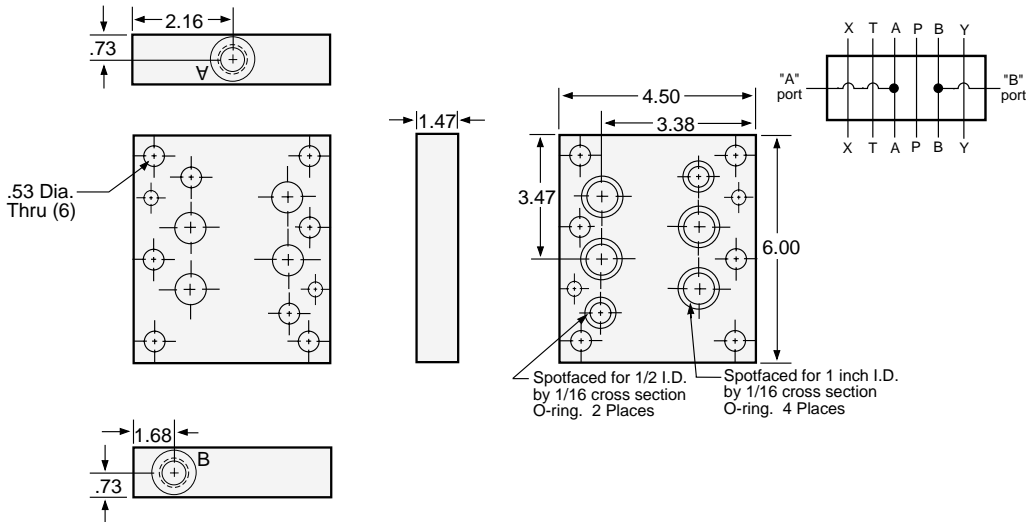
- 3500 psi

Material

- 6061-T6 Aluminum

Items Furnished with Tapping Plate

- Two (2) small Viton O-rings (90003)
AS 568A-014
- Four (4) large Viton O-rings (90005)
AS 568A-022
- Two (2) Roll Pins (90007)



Tapping Plate

D08 (Old D06)

P & T Ports

Part Number 10139

Port Size

- 3/4-16 O-ring ports (2)
(SAE -8)

Pressure Rating

- 3500 psi

Material

- 6061-T6 Aluminum

Items Furnished with Tapping Plate

- Two (2) small Viton O-rings (90003)
AS 568A-014
- Four (4) large Viton O-rings (90005)
AS 568A-022
- Two (2) Roll Pins (90007)

