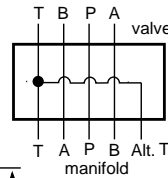
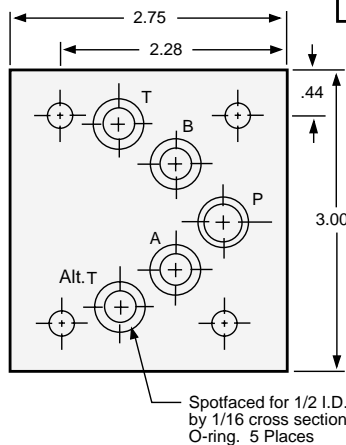
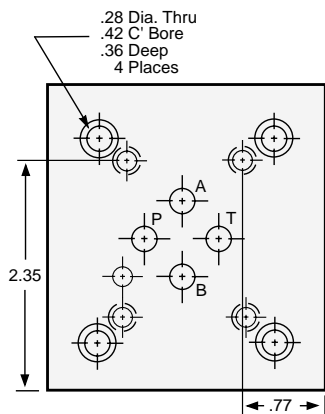


Adaptor

D03 (Old D01) Valve

D05 (Old D02) Manifold



Part Number 10140

Pressure Rating

- 4500 psi

Material

- 6061-T6 Aluminum

Items Furnished with Adaptor

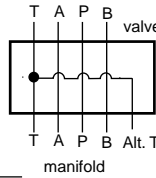
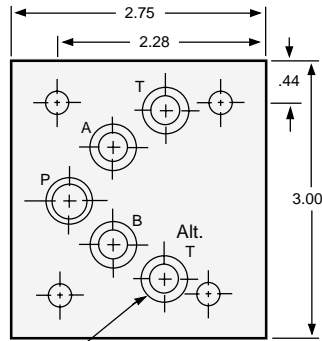
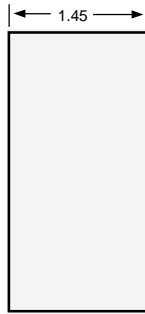
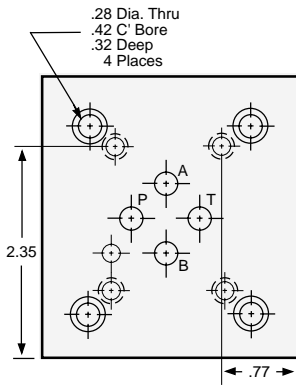
- Four (4) 1/4-20 X one inch long socket head cap screws (90012)
- Five (5) Viton O-rings for the manifold surface (90003) AS 568A-014

This lower cost adaptor orients the A port on the manifold to the B port on the valve. Similarly the B port on the manifold is oriented to the A port on the valve. See Schematic.

Adaptor

D03 (Old D01) Valve

D05 (Old D02) Manifold



Part Number 10141

Pressure Rating

- 4500 psi

Material

- 6061-T6 Aluminum

Items Furnished with Adaptor

- Four (4) 1/4-20 X 1-1/2 inch long socket head cap screws (90022)
- Five (5) Viton O-rings for the manifold surface (90003) AS 568A-014

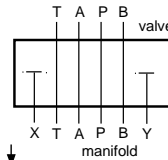
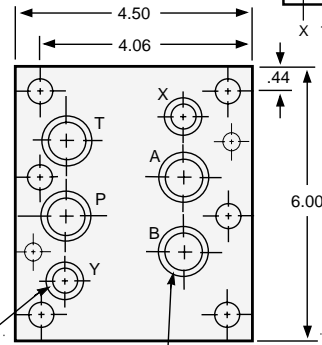
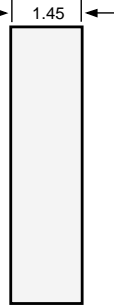
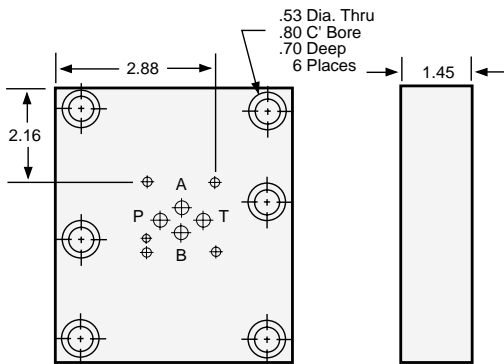
Also see lower cost adaptor part number 10140

Spotfaced for 1/2 I.D. by 1/16 cross section O-ring. 5 Places

Adaptor

D03 (Old D01) Valve

D08 (Old D06) Manifold



Part Number 10142

Pressure Rating

- 3500 psi

Material

- 6061-T6 Aluminum

Items Furnished with Adaptor

- Six (6) 1/2-13 X 1-1/2 long socket head cap screws (90010)
- Two (2) small O-rings for the manifold surface (90003) AS 568A-014
- Four (4) large O-rings for the manifold surface (90005) AS 568A-022
- Two (2) Roll Pins (90007)

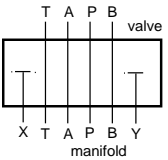
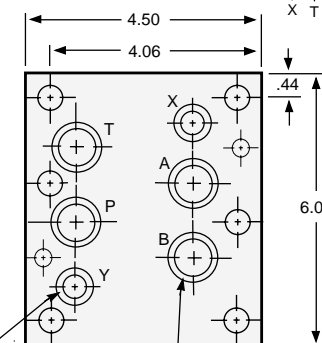
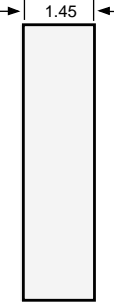
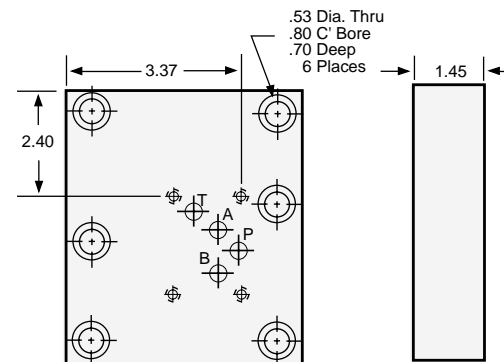
Spotfaced for 1/2 I.D. by 1/16 cross section O-ring. 2 Places

Spotfaced for 1 inch I.D. by 1/16 cross section O-ring. 4 places

Adaptor

D05 (Old D02) Valve

D08 (Old D06) Manifold



Part Number 10143

Pressure Rating

- 3500 psi

Material

- 6061-T6 Aluminum

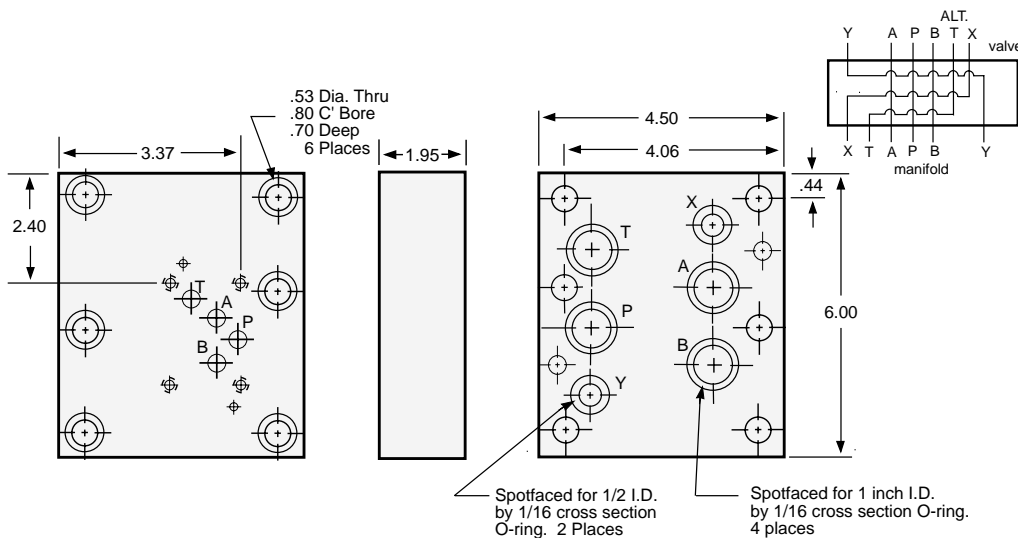
Items Furnished with Adaptor

- Six (6) 1/2-13 X 1-1/2 long socket head cap screws (90010)
- Two (2) small O-rings for the manifold surface (90003) AS 568A-014
- Four (4) large O-rings for the manifold surface (90005) AS 568A-022
- Two (2) Roll Pins (90007)

Spotfaced for 1/2 I.D. by 1/16 cross section O-ring. 2 Places

Spotfaced for 1 inch I.D. by 1/16 cross section O-ring. 4 places

Adaptor D05H (Old D02H) Valve D08 (Old D06) Manifold



Part Number 10144

Pressure Rating

- 3500 psi

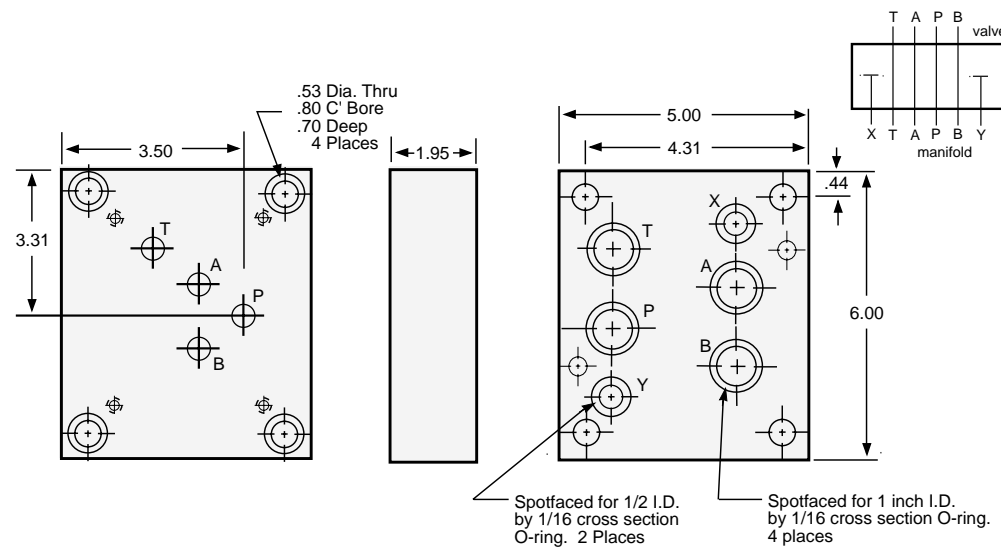
Material

- 6061-T6 Aluminum

Items Furnished with Adaptor

- Six (6) 1/2-13 X 2 long socket head cap screws (90016)
- Two (2) small O-rings for the manifold surface (90003) AS 568A-014
- Four (4) large O-rings for the manifold surface (90005) AS 568A-022
- Two (2) Roll Pins (90007)

Adaptor D06 (Old D03) Valve D08 (Old D06) Manifold



Part Number 10145

Pressure Rating

- 3500 psi

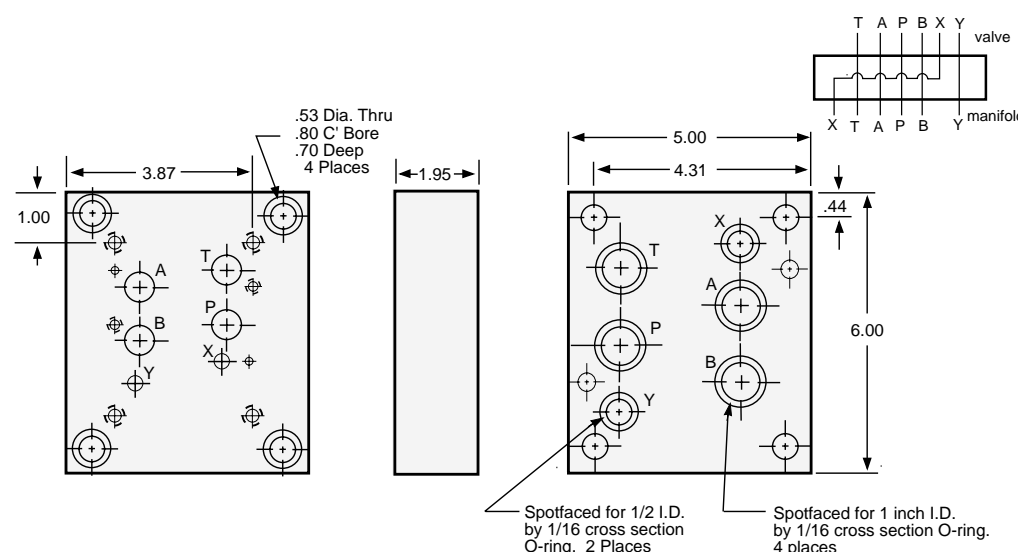
Material

- 6061-T6 Aluminum

Items Furnished with Adaptor

- Four (4) 1/2-13 X 2 long socket head cap screws (90016)
- Two (2) small O-rings for the manifold surface (90003) AS 568A-014
- Four (4) large O-rings for the manifold surface (90005) AS 568A-022
- Two (2) Roll Pins (90007)

Adaptor D07 (Old D04) Valve D08 (Old D06) Manifold



Part Number 10146

Pressure Rating

- 3500 psi

Material

- 6061-T6 Aluminum

Items Furnished with Adaptor

- Four (4) 1/2-13 X 2 long socket head cap screws (90016)
- Two (2) small O-rings for the manifold surface (90003) AS 568A-014
- Four (4) large O-rings for the manifold surface (90005) AS 568A-022
- Two (2) Roll Pins (90007)