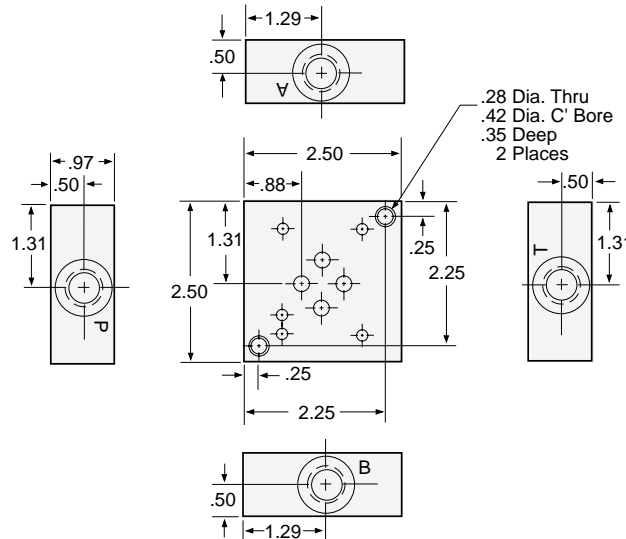


Subplate

D03 (Old D01)

Side Ported



Part Number 10101

Port Size

- 9/16-18 O-ring ports (4)
- (SAE -6)

Pressure Rating

- 5000 psi

Material

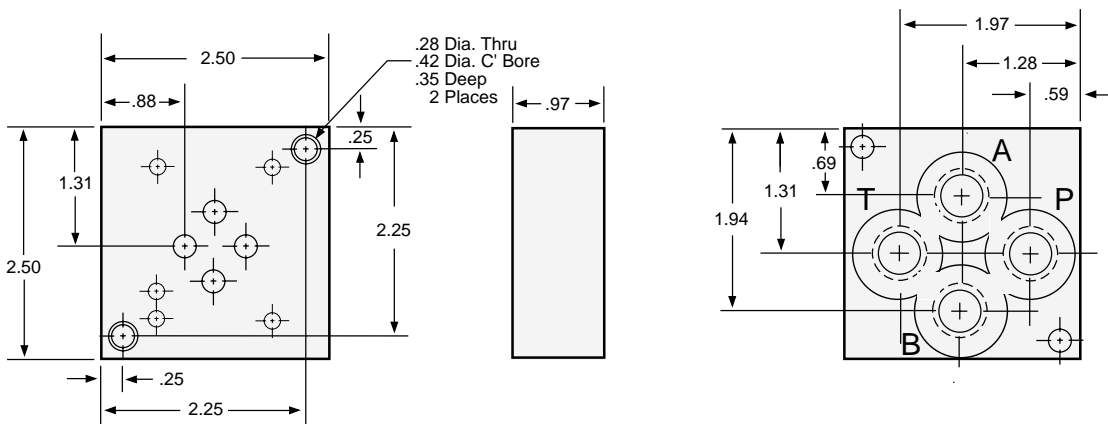
- 6061-T6 Aluminum

Two (2) 1/4-20 X 1 inch long socket head cap screws are furnished with each subplate (90012)

Subplate

D03 (Old D01)

Back Ported



Part Number 10102

Port Size

- 9/16-18 O-ring ports (4)
- (SAE -6)

Pressure Rating

- 5000 psi

Material

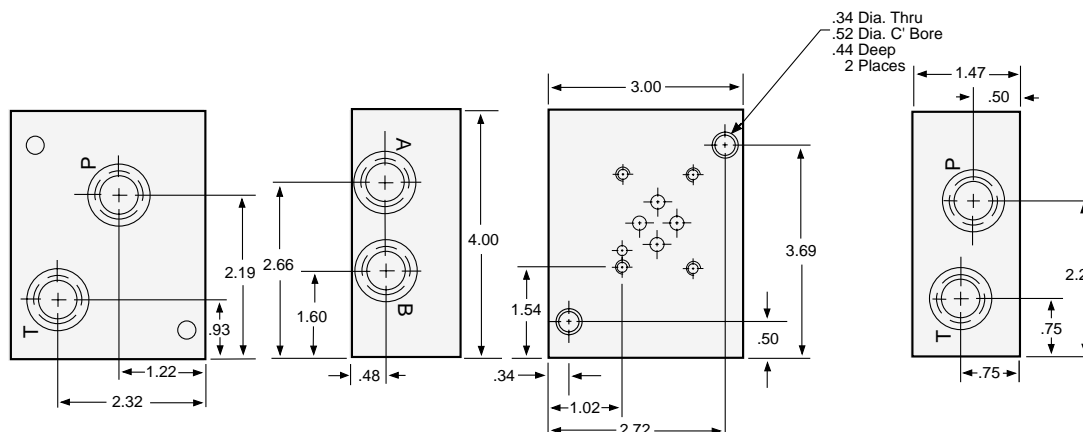
- 6061-T6 Aluminum

Two (2) 1/4-20 X 1 inch long socket head cap screws are furnished with each subplate (90012)

Subplate

D03 (Old D01)

Dual Ported



Part Number 10103

Port Size

- 9/16-18 O-ring ports (6)
- (SAE -6)

Pressure Rating

- 5000 psi

Material

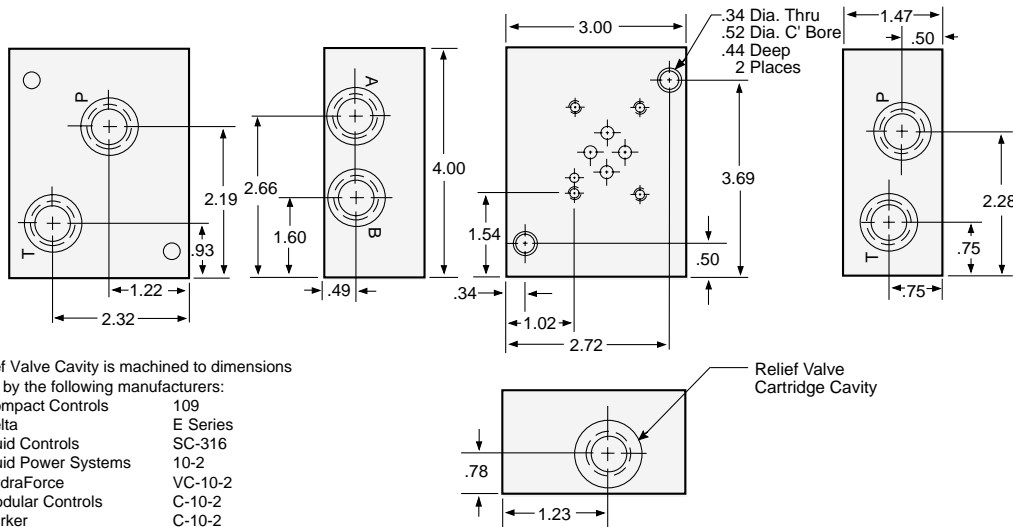
- 6061-T6 Aluminum

Two (2) 5/16-18 X 1 1/2 long socket head cap screws are furnished with each subplate (90013)

Subplate

D03 (Old D01)

Dual Ported with relief valve cavity



The Relief Valve Cavity is machined to dimensions furnished by the following manufacturers:

Compact Controls	109
Delta	E Series
Fluid Controls	SC-316
Fluid Power Systems	10-2
HydraForce	VC-10-2
Modular Controls	C-10-2
Parker	C-10-2

Part Number 10104

Port Size

- 9/16-16 O-ring ports (6) (SAE -6)

Pressure Rating

- 5000 psi

Material

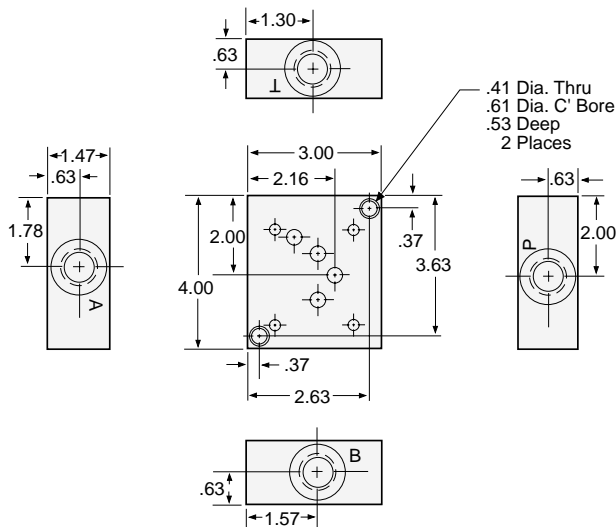
- 6061-T6 Aluminum

Two (2) 5/16-18 X 1 1/2 long socket head cap screws are furnished with each subplate (90013)

Subplate

D05 (Old D02)

Side Ported



Part Number 10105

Port Size

- 3/4-16 O-ring ports (4) (SAE -8)

Pressure Rating

- 4500 psi

Material

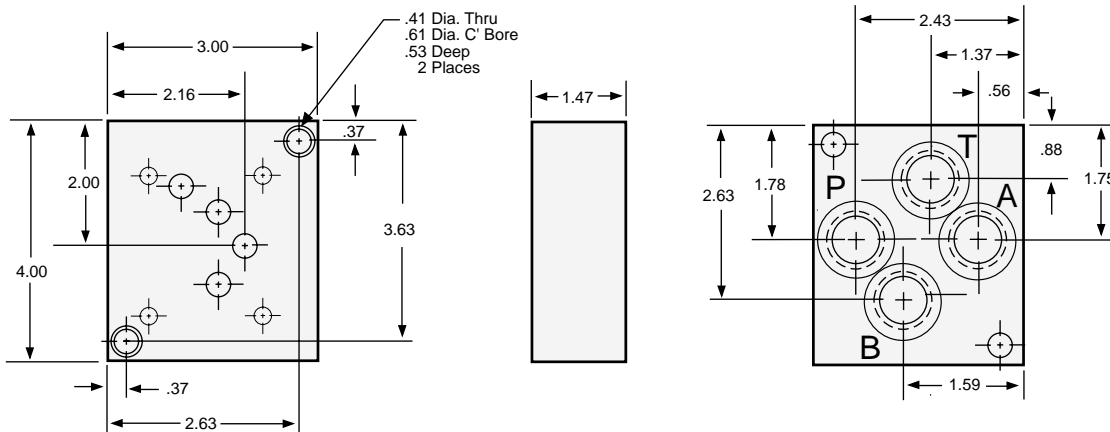
- 6061-T6 Aluminum

Two (2) 3/8-16 X 1 1/2 long socket head cap screws are furnished with each subplate (90002)

Subplate

D05 (Old D02)

Back Ported



Part Number 10106

Port Size

- 3/4-16 O-ring ports (4) (SAE -8)

Pressure Rating

- 4500 psi

Material

- 6061-T6 Aluminum

Two (2) 3/8-16 X 1 1/2 long socket head cap screws are furnished with each subplate (90002)

Subplate

D05 (Old D02)

Dual Ported

Part Number 10107

Port Size

- 3/4-16 O-ring ports (6)
(SAE -8)

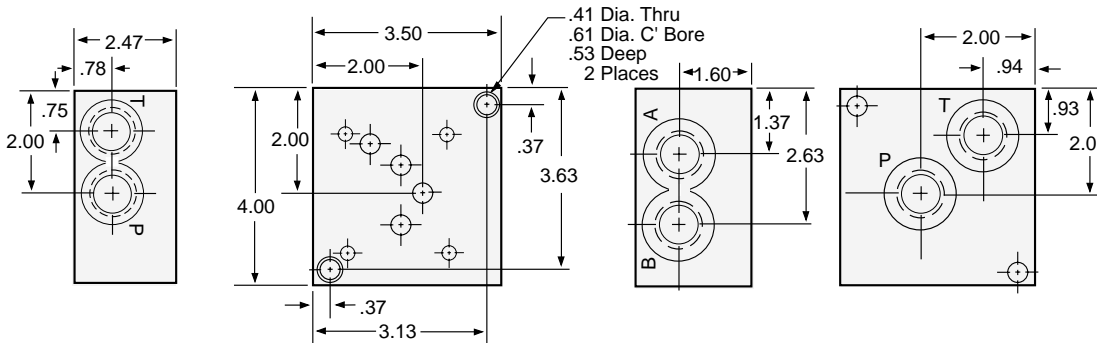
Pressure Rating

- 4500 psi

Material

- 6061-T6 Aluminum

Two (2) 3/8-16 X 2 1/2 long socket head cap screws are furnished with each subplate (90023)



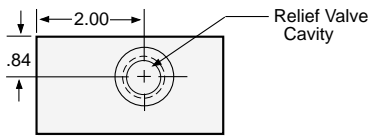
Subplate

D05 (Old D02)

Dual Ported with relief valve cavity

The Relief Valve Cavity is machined to dimensions furnished by the following manufacturers:

Compact Controls	109
Delta	E Series
Fluid Controls	SC-316
Fluid Power Systems	10-2
HydraForce	VC-10-2
Modular Controls	C-10-2
Parker	C-10-2



Part Number 10108

Port Size

- 3/4-16 O-ring ports (6)
(SAE -8)

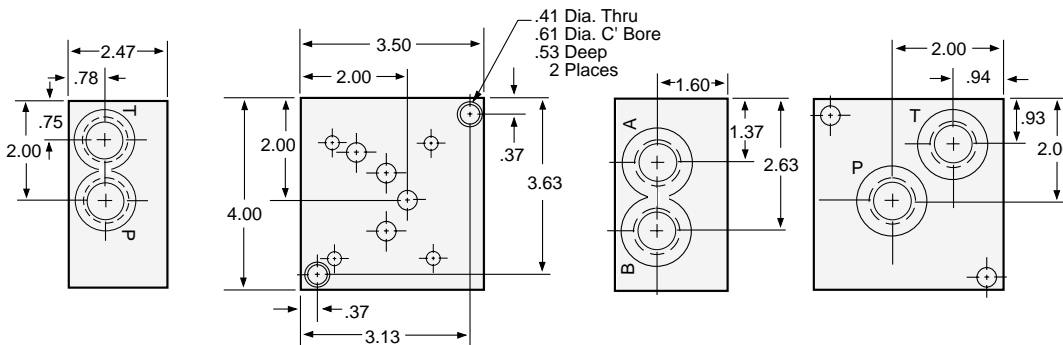
Pressure Rating

- 4500 psi

Material

- 6061-T6 Aluminum

Two (2) 3/8-16 X 2 1/2 long socket head cap screws are furnished with each subplate (90023)



Subplate

D05 (Old D02)

Dual Ported with relief valve cavity

Part Number 10109

Port Size

- 3/4-16 O-ring ports (6)
(SAE -8)

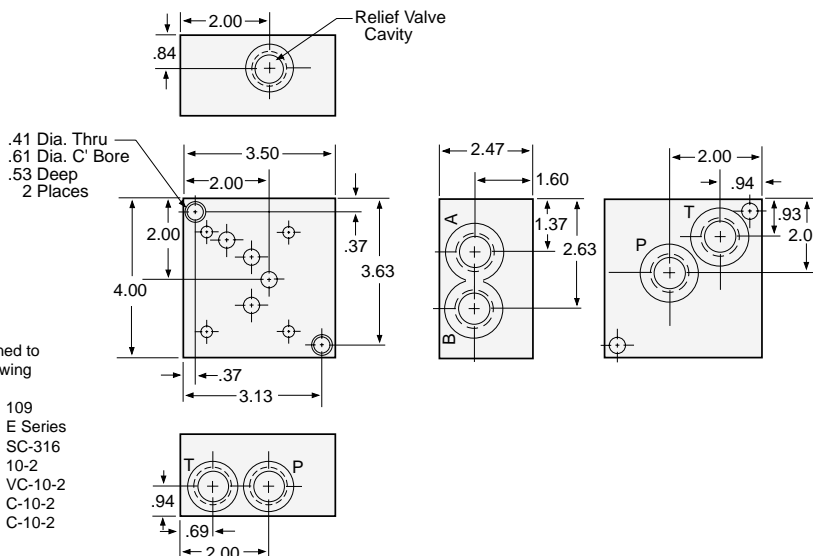
Pressure Rating

- 4500 psi

Material

- 6061-T6 Aluminum

Two (2) 3/8-16 X 2 1/2 long socket head cap screws are furnished with each subplate (90023)



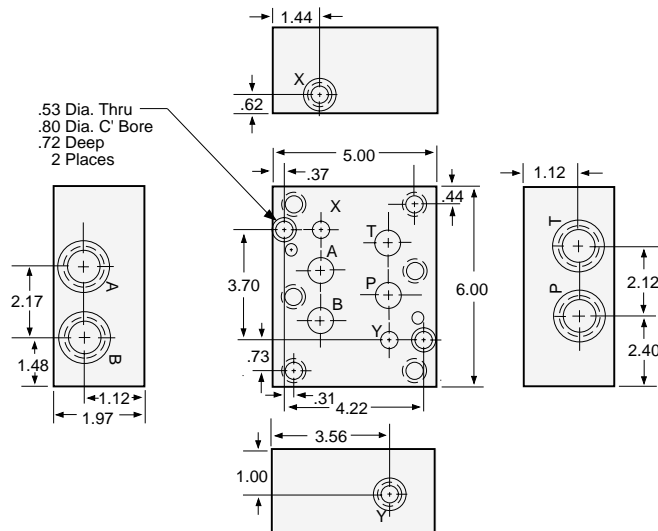
The Relief Valve Cavity is machined to dimensions furnished by the following manufacturers:

Compact Controls	109
Delta	E Series
Fluid Controls	SC-316
Fluid Power Systems	10-2
HydraForce	VC-10-2
Modular Controls	C-10-2
Parker	C-10-2

Subplate

D08 (Old D06)

Side Ported



Part Number 10110

Port Sizes

- P, T, A & B
1 5/16-12 O-ring port (SAE -16)
- X & Y
9/16-18 O-ring port (SAE -6)

Pressure Rating

- 3500 psi

Material

- 6061-T6 Aluminum

Two (2) 1/2-13 X 2 long socket head cap screws are furnished with each subplate (90016)

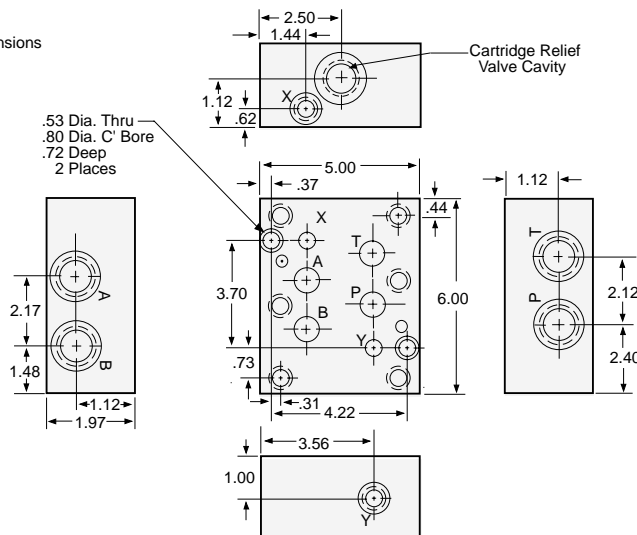
Subplate

D08 (Old D06)

Side Ported with relief valve cavity

The Relief Valve Cavity is machined to dimensions furnished by the following manufacturers:

Compact Controls	109
Delta	E Series
Fluid Controls	SC-316
Fluid Power Systems	10-2
HydraForce	VC-10-2
Modular Controls	C-10-2
Parker	C-10-2



Part Number 10111

Port Sizes

- P, T, A & B
1 5/16-12 O-ring port (SAE -16)
- X & Y
9/16-18 O-ring port (SAE -6)

Pressure Rating

- 3500 psi

Material

- 6061-T6 Aluminum

Two (2) 1/2-13 X 2 long socket head cap screws are furnished with each subplate (90016)