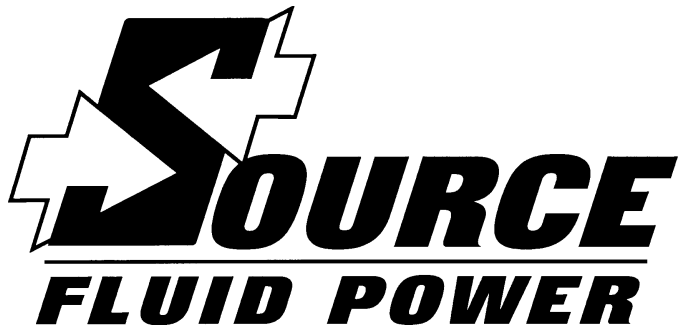


Order Pages



◆ *Source Sells Solutions* ◆

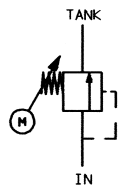
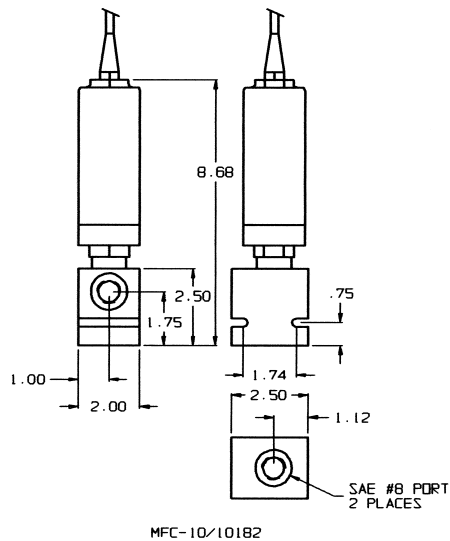
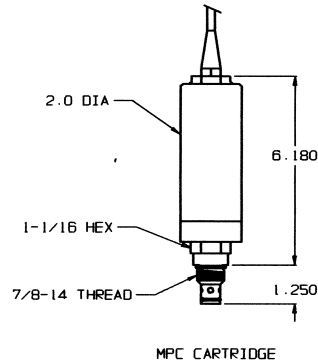
Telephone: 952-368-3866 • Fax: 952-448-3392 • www.sourcefp.com

331 Lake Hazeltine Drive • Chaska, MN 55318

P10/PP10	Page 1
F10	Page 2
F13A	Page 3
F16	Page 4
F16A	Page 5
FPC10	Page 6
FPC16	Page 7
H10	Page 8
H16	Page 9
F10/25201	Page 10
F16/25201	Page 11
F10/25201R	Page 12
F16/25201R	Page 13
F10/25201RS	Page 14
F16/25201RS	Page 15
F10/25206	Page 16
F16/25206	Page 17
SFP25171	Page 18
SFP25196	Page 19
SFP25254	Page 20
SFP25275	Page 21
SFP25370	Page 22
SFP25401	Page 23
SFP25426	Page 24
SFP25455	Page 25
Accessories	A-1
Options	O-1

◆ *We make it simple to order. Complete the order form and fax it to us. Or, if you have questions, call us.* ◆

Telephone: (952) 368-3866 ◆ Fax: (952) 448-3392 ◆ www.sourcefp.com



FUNCTION

- ⊙ Motorized Relief Valve for remote control of hydraulic system pressure.
- ⊙ 15 GPM version is a two-stage pilot operated relief valve.
- ⊙ 1 GPM version is a direct acting relief for pilot control of larger components.

APPLICATIONS

- ⊙ Direct remote control of hydraulic system pressure in systems with 15 GPM or less flow and 3000 psi maximum.
- ⊙ Hydraulic presses, clamping functions, or torque control of hydraulic motors are typical applications.
- ⊙ Remote pilot control of high pressure (up to 5000 psi) pumps and/or relief valves. The P-10-50-** is ideal for remote control of pressure limited pumps, either hydrostatic or open loop.

OPERATING PRESSURE

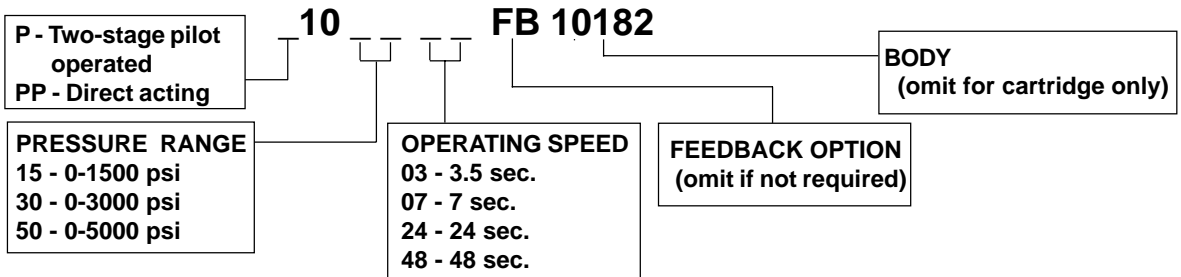
- ⊙ 1500, 3000, or 5000 psi maximum.

FLOW RANGE

(Fully closed to fully open @ 12V DC)

- ⊙ 0-15 GPM (P10)
- ⊙ 0-1.0 GPM (PP10)

HOW TO ORDER...



CONSTRUCTION

- ⊙ Nose, body and spool: steel.
- ⊙ Exposed parts plated
- ⊙ Motor container assembly anodized aluminum

OPERATING SPEED

(Fully closed to fully open @ 12V DC)

- ⊙ 3.5 seconds
- ⊙ 7 seconds
- ⊙ 24 seconds
- ⊙ 48 seconds

VOLTAGE

- ⊙ 12V DC
- ⊙ For 24V DC operation, add 100-ohm, 3 watt resistor in series with motor

CURRENT DRAW

- ⊙ Less than 120 MA typical @ 12V DC

CARTRIDGE WEIGHT

- ⊙ P10 and PP10: 1.3 lb.

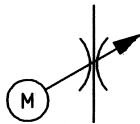
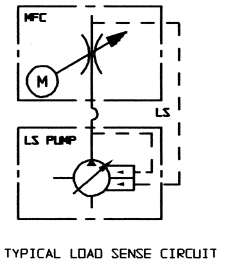
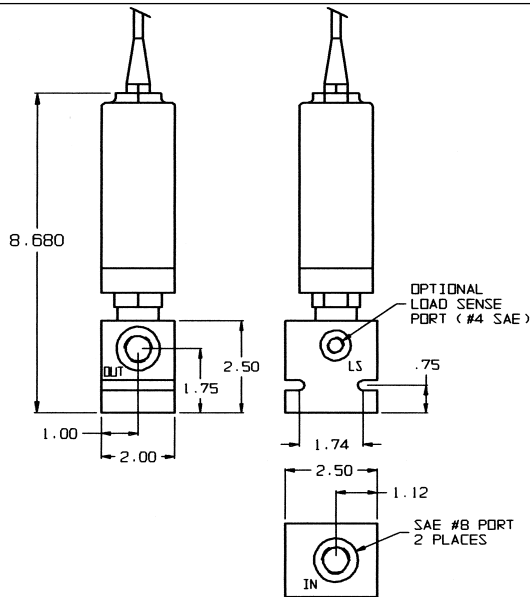
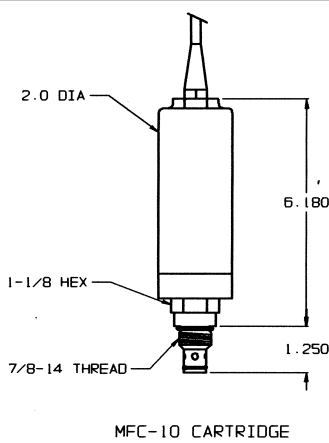
CAVITY

- ⊙ SFP 10-2, Industry common cavity
- 7/8-14 UNF thread x .625 nose diameter

◆ We make it simple to order. Complete the order form and fax it to us. Or, if you have questions, call us. ◆
 Telephone: (952) 368-3866 ◆ Fax: (952) 448-3392 ◆ www.sourcefp.com

F10

◆ Source Sells Solutions. ◆



FUNCTION

- ⊙ Motorized Flow Control Cartridge for restrictive type flow control, non-pressure compensated.

APPLICATIONS

- ⊙ Any circuit requiring restrictive flow control with electric remote control.
- ⊙ The MFC Cartridge is an excellent valve to use for remote flow control of a load sense (pressure and flow compensated pump). See schematic.

OPERATING PRESSURE

- ⊙ 3000 psi maximum (5000 psi with factory approval).

FLOW RANGE

(Fully closed to fully open @ 12V DC)

- ⊙ 0-3 GPM
- ⊙ 0-5 GPM
- ⊙ 0-10 GPM
- ⊙ 0-15 GPM

CONSTRUCTION

- ⊙ Nose, body and spool: steel. ⊙ Exposed parts plated
- ⊙ Motor container assembly anodized aluminum
- ⊙ Pressure balanced, bidirectional flow

OPERATING SPEED

(Fully closed to fully open @ 12V DC)

- ⊙ 3.5 seconds
- ⊙ 7 seconds
- ⊙ 24 seconds
- ⊙ 48 seconds

VOLTAGE

- ⊙ 12V DC
- ⊙ For 24V DC operation, add 100-ohm, 3 watt resistor in series with motor

CURRENT DRAW

- ⊙ Less than 120 MA typical @ 12V DC

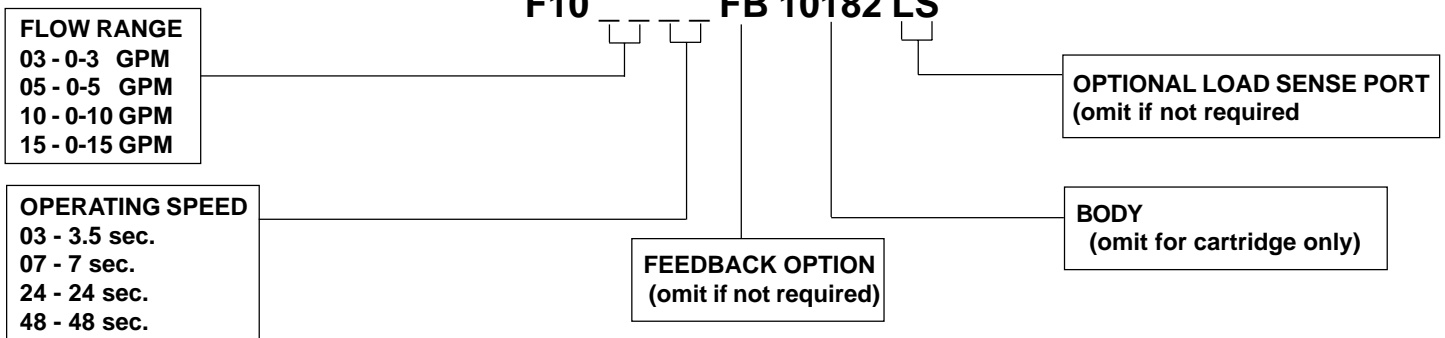
CARTRIDGE WEIGHT

- ⊙ F10: 1.3 lb.

CAVITY

- ⊙ SFP 10-2, Industry common cavity
- 7/8-14 UNF thread x .625 nose diameter

HOW TO ORDER...

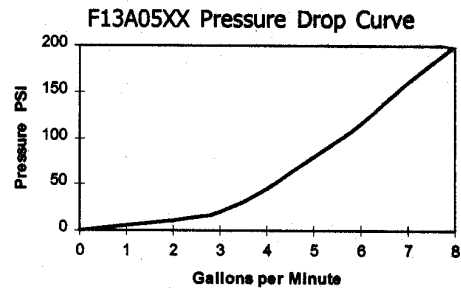
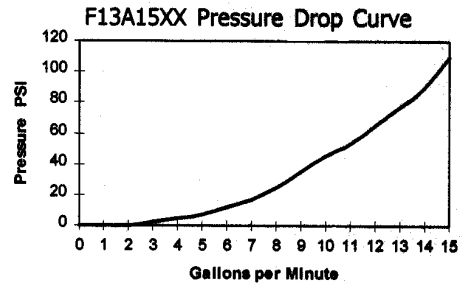
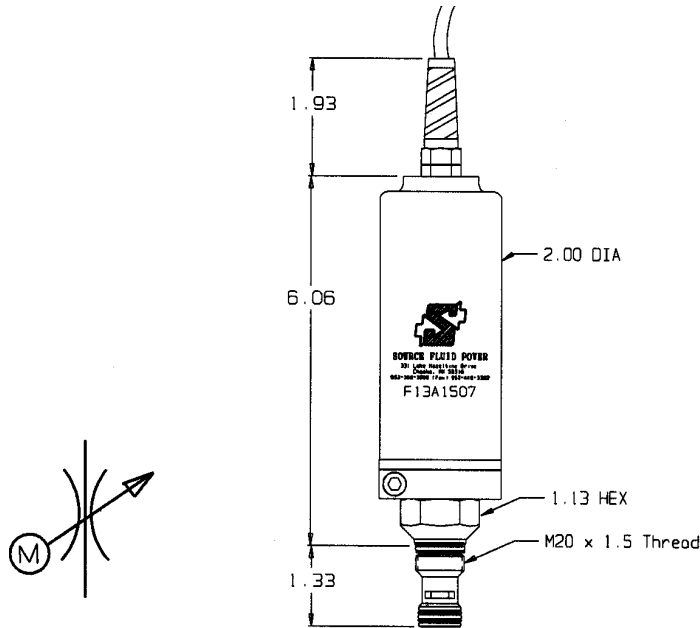


◆ We make it simple to order. Complete the order form and fax it to us. Or, if you have questions, call us. ◆

Telephone: (952) 368-3866 ◆ Fax: (952) 448-3392 ◆ www.sourcefp.com

F13A

◆ Source Sells Solutions. ◆



FUNCTION

- ⊙ Motorized Flow Control (MFC) Cartridge for restrictive type flow control, non-pressure compensated.

APPLICATIONS

- ⊙ Any circuit requiring restrictive flow control with electric remote control.
- ⊙ The MFC Cartridge is an excellent valve to use for remote flow control of a load sense (pressure and flow compensated pump). See schematic.

OPERATING PRESSURE

- ⊙ 3000 psi maximum (5000 psi with factory approval).

FLOW RANGE

(Fully closed to fully open @ 12V DC)

- ⊙ 0-5 GPM
- ⊙ 0-15 GPM

CONSTRUCTION

- ⊙ Nose, body and spool: steel. ⊙ Exposed parts plated
- ⊙ Motor container assembly anodized aluminum
- ⊙ Pressure balanced, bidirectional flow

OPERATING SPEED

(Fully closed to fully open @ 12V DC)

- ⊙ 3.5 seconds
- ⊙ 7 seconds
- ⊙ 24 seconds
- ⊙ 48 seconds

VOLTAGE

- ⊙ 12V DC
- ⊙ For 24V DC operation, add 100-ohm, 3 watt resistor in series with motor (minimum 3 watts)

CURRENT DRAW

- ⊙ Less than 120 MA typical @ 12V DC

CARTRIDGE WEIGHT

- ⊙ F13A: 1.3 lb.

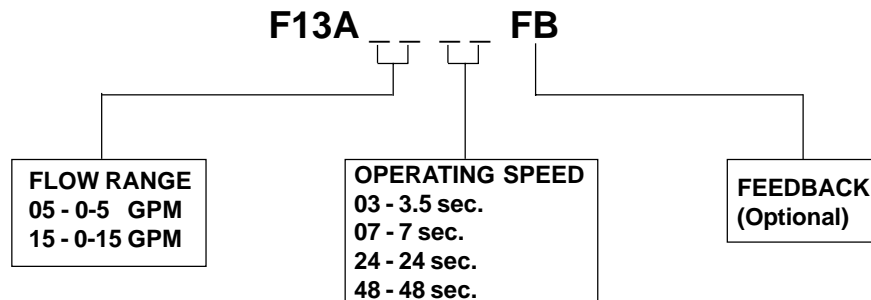
CAVITY

- ⊙ Sun T13A Cavity
Locating shoulder must be no more than .062" below surface.

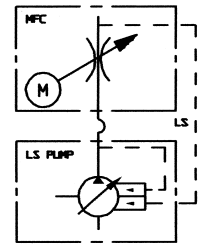
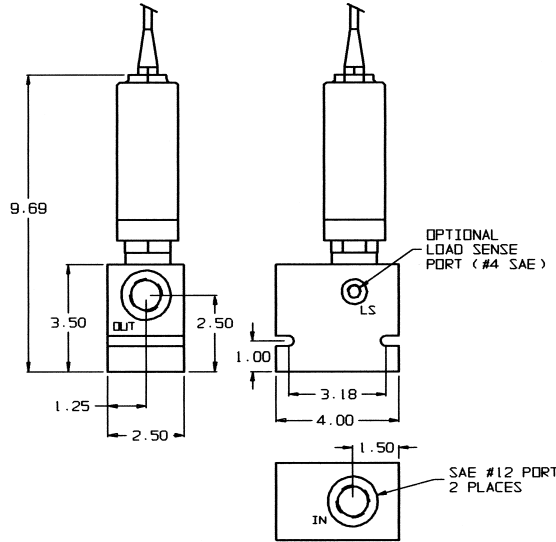
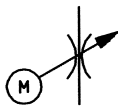
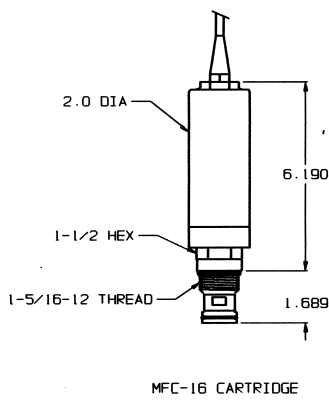
OPTIONAL POSITION FEEDBACK

- ⊙ This option provides an electrical signal to indicate relative position of the valve from closed to open
- ⊙ Signal is a variable resistance ranging from 33 ohms fully closed to 240 ohms fully open

HOW TO ORDER...



◆ We make it simple to order. Complete the order form and fax it to us. Or, if you have questions, call us. ◆
 Telephone: (952) 368-3866 ◆ Fax: (952) 448-3392 ◆ www.sourcefp.com



TYPICAL LOAD SENSE CIRCUIT

F16----10183LS

FUNCTION

⊙ Motorized Flow Control Cartridge for restrictive type flow control, non-pressure compensated.

APPLICATIONS

- ⊙ Any circuit requiring restrictive flow control with electric remote control.
- ⊙ The MFC Cartridge is an excellent valve to use for remote flow control of a load sense (pressure and flow compensated pump). See schematic.

OPERATING SPEED

(Fully closed to fully open @ 12V DC)

- ⊙ 3.5 seconds (03 option)
- ⊙ 7 seconds (07 option)
- ⊙ 24 seconds (24 option)
- ⊙ 48 seconds (48 option)

OPERATING PRESSURE

- ⊙ 3000 psi maximum (5000 psi with factory approval).

VOLTAGE

- ⊙ 12V DC
- ⊙ For 24V DC operation, add 100-ohm, 3 watt resistor in series with motor

CURRENT DRAW

- ⊙ Less than 120 MA typical @ 12V DC

CARTRIDGE WEIGHT

- ⊙ F16: 1.6 lb.

CAVITY

- ⊙ SFP 16-2, Industry common cavity
- 1 15/16-12 UN thread x 1.13 nose diameter

FLOW RANGE

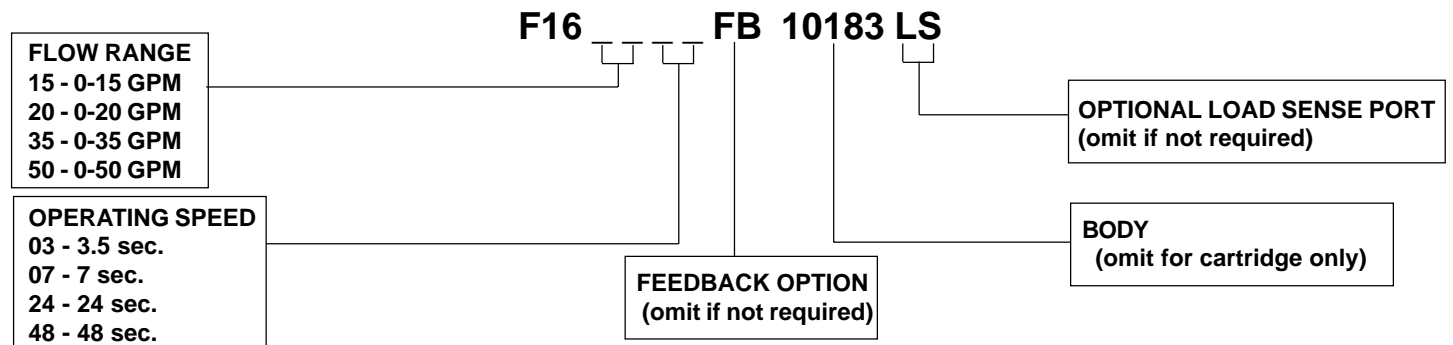
(Based on 100 psi Δ P with valve fully open)

- ⊙ 0-15 GPM 15 Option
- ⊙ 0-20 GPM 20 Option
- ⊙ 0-35 GPM 35 Option
- ⊙ 0-50 GPM 50 Option

CONSTRUCTION

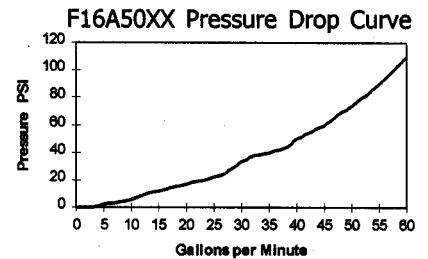
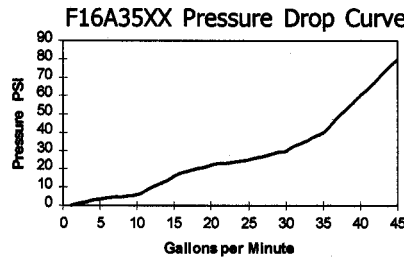
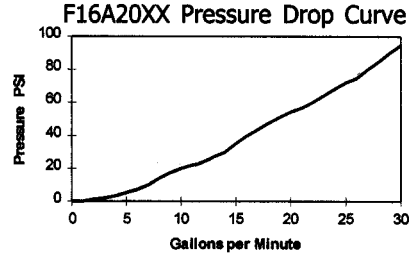
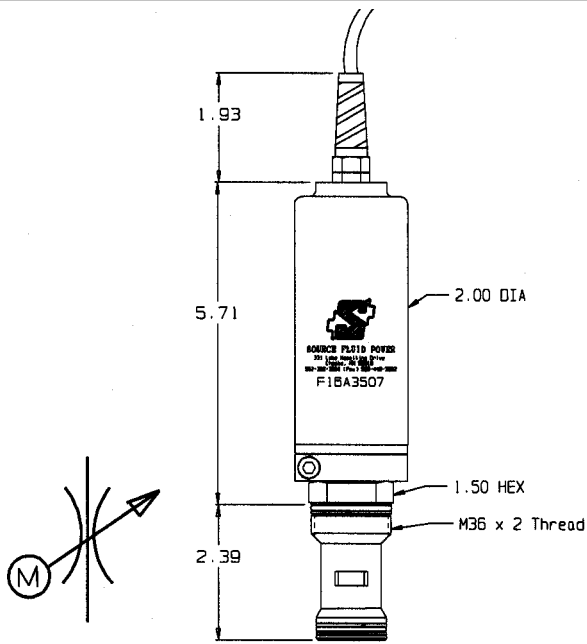
- ⊙ Nose, body and spool: steel. ⊙ Exposed parts plated
- ⊙ Motor container assembly anodized aluminum
- ⊙ Pressure balanced, bidirectional flow

HOW TO ORDER...



◆ We make it simple to order. Complete the order form and fax it to us. Or, if you have questions, call us. ◆

Telephone: (952) 368-3866 ◆ Fax: (952) 448-3392 ◆ www.sourcefp.com



FUNCTION

⊙ Motorized Flow Control (MFC) Cartridge for restrictive type flow control, non-pressure compensated.

APPLICATIONS

- ⊙ Any circuit requiring restrictive flow control with electric remote control.
- ⊙ The MFC Cartridge is an excellent valve to use for remote flow control of a load sense (pressure and flow compensated pump). See schematic.

OPERATING PRESSURE

⊙ 3000 psi maximum (5000 psi with factory approval).

FLOW RANGE

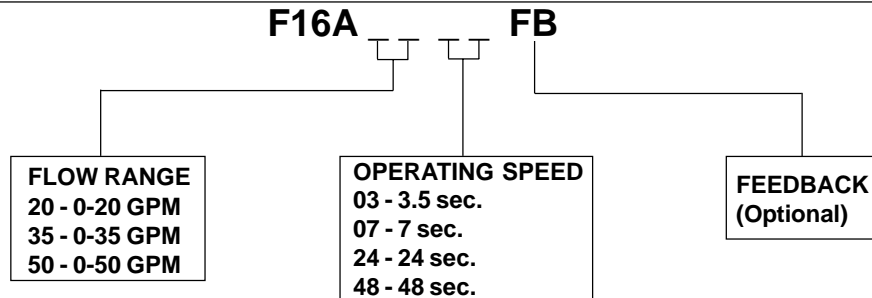
(Fully closed to fully open @ 12V DC)

- ⊙ 0-20 GPM
- ⊙ 0-35 GPM
- ⊙ 0-50 GPM

CONSTRUCTION

- ⊙ Nose, body and spool: steel. ⊙ Exposed parts plated
- ⊙ Motor container assembly anodized aluminum
- ⊙ Pressure balanced, bidirectional flow

HOW TO ORDER...



OPERATING SPEED

(Fully closed to fully open @ 12V DC)

- ⊙ 3.5 seconds
- ⊙ 7 seconds
- ⊙ 24 seconds
- ⊙ 48 seconds

VOLTAGE

- ⊙ 12V DC
- ⊙ For 24V DC operation, add 100-ohm, 3 watt resistor in series with motor (minimum 3 watts)

CURRENT DRAW

⊙ Less than 120 MA typical @ 12V DC

CARTRIDGE WEIGHT

⊙ F16A: 1.6 lb.

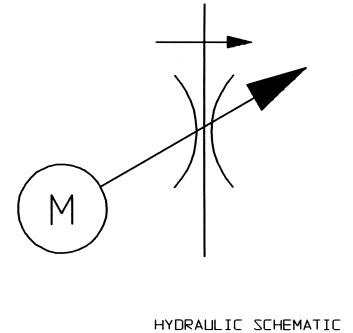
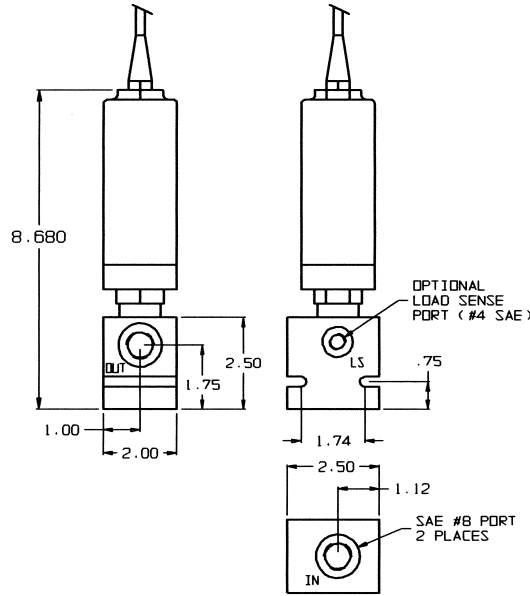
CAVITY

- ⊙ Sun T16A Cavity
- Locating shoulder must be no more than .062" below surface.

OPTIONAL POSITION FEEDBACK

- ⊙ This option provides an electrical signal to indicate relative position of the valve from closed to open
- ⊙ Signal is a variable resistance ranging from 33 ohms fully closed to 240 ohms fully open

◆ We make it simple to order. Complete the order form and fax it to us. Or, if you have questions, call us. ◆
 Telephone: (952) 368-3866 ◆ Fax: (952) 448-3392 ◆ www.sourcefp.com



FUNCTION

⊙ Pressure Compensated Motorized Flow Control Cartridge for restrictive type flow control applications.

APPLICATIONS

⊙ Any circuit requiring pressure compensated restrictive flow control with electric remote control.

OPERATING PRESSURE

⊙ 3000 psi maximum.

FLOW RANGE

(Fully closed to fully open @ 12V DC)

⊙ 0-6 GPM

CONSTRUCTION

⊙ Nose, body and spool: steel. ⊙ Exposed parts plated
 ⊙ Motor container assembly anodized aluminum

OPERATING SPEED

(Fully closed to fully open @ 12V DC)

⊙ 3.5 seconds

⊙ 7 seconds

⊙ 24 seconds

⊙ 48 seconds

VOLTAGE

⊙ 12V DC

⊙ For 24V DC operation, add 100-ohm, 3 watt resistor in series with motor

CURRENT DRAW

⊙ Less than 120 MA typical @ 12V DC

CARTRIDGE WEIGHT

⊙ FPC10: 1.3 lb.

CAVITY

⊙ SFP 10-2, Industry common cavity
 7/8-14 UNF thread x .625 nose diameter

HOW TO ORDER...

F1006 FB 10182 LS

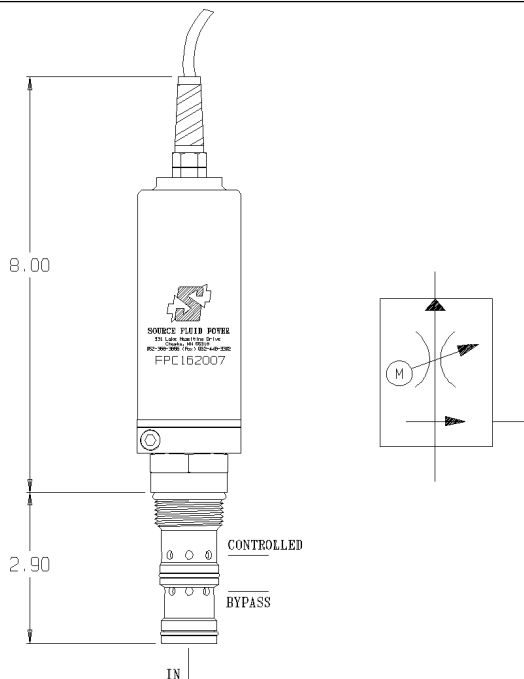
OPERATING SPEED
 03 - 3.5 sec.
 07 - 7 sec.
 24 - 24 sec.
 48 - 48 sec.

FEEDBACK OPTION
 (omit if not required)

OPTIONAL LOAD SENSE PORT
 (omit if not required)

BODY
 (omit for cartridge only)

◆ **We make it simple to order. Complete the order form and fax it to us. Or, if you have questions, call us.** ◆
 Telephone: (952) 368-3866 ◆ Fax: (952) 448-3392 ◆ www.sourcefp.com



FUNCTION:

- ☉ FPC16 is a three-port Motorized Flow Control (MFC) cartridge providing pressure compensated flow control to a priority port with excess flow bypassed to tank or to other work functions.
- ☉ When the bypass port is plugged, the valve functions as a two-port, pressure compensated flow control.

OPERATING SPEED

- ☉ 3.5 seconds
- ☉ 7 seconds
- ☉ 24 seconds
- ☉ 48 seconds

APPLICATIONS:

- ☉ Any circuit requiring pressure compensated flow control to one function with excess flow diverted downstream or to tank.

VOLTAGE

- ☉ 12 VDC
- ☉ For 24 VDC operation, add 100-ohm, 3 watt resistor in series with motor.

SPECIFICATIONS

- ☉ Operating pressure: 3000 PSI max
- ☉ Priority flow range: 0 to 20 GPM
- ☉ Total flow range: 40 GPM

CURRENT DRAW

- ☉ Less than 120 ma typical @12 VDC

CARTRIDGE WEIGHT

- ☉ FPC: 2 lbs.

CONSTRUCTION:

- ☉ Nose, body and spool: steel
- ☉ Exposed parts plated
- ☉ Motor container assembly: anodized aluminum

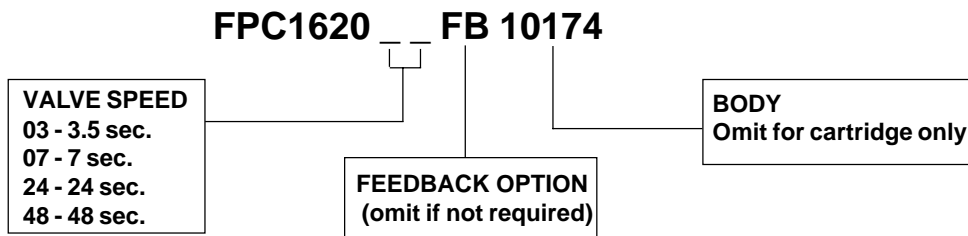
CAVITY

- ☉ SFP 16-3 Industry common cavity
- 1-15/16 thread, three port

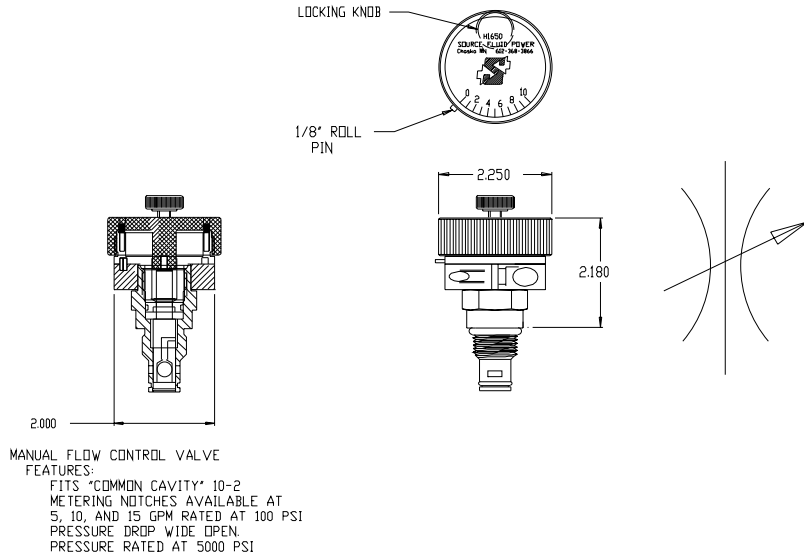
FLOW PATH

- ☉ In: Port #1 (nose)
- ☉ Bypass: Port #2 (side)
- ☉ Priority: Port #3 (top)

HOW TO ORDER...



◆ We make it simple to order. Complete the order form and fax it to us. Or, if you have questions, call us. ◆
 Telephone: (952) 368-3866 ◆ Fax: (952) 448-3392 ◆ www.sourcefp.com



FUNCTION

- ☉ Manual flow control for restrictive type flow control - non pressure compensated.

APPLICATIONS

- ☉ The H10** is a manual version of the Source Fluid Power -10 size motorized flow control. It can be used to provide alternate manual flow control in any application where the motorized flow control is not required.

OPERATING PRESSURE

- ☉ 5000 psi

FLOW RANGE

- ☉ 0-3 GPM
- ☉ 0-5 GPM
- ☉ 0-10 GPM
- ☉ 0-15 GPM

(Maximum flow ratings reflect flow at 100 psi drop when valve is fully open. Valve will handle significantly higher flows at higher pressure drop.)

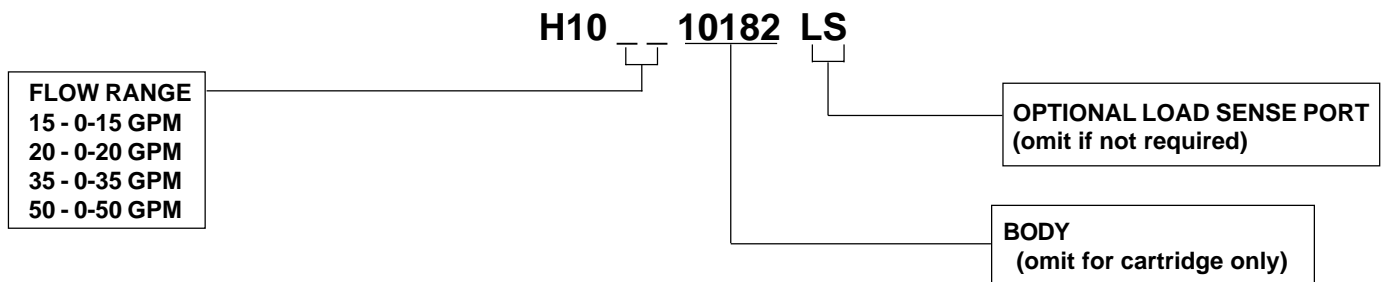
CARTRIDGE WEIGHT

- ☉ 1.0 lb.

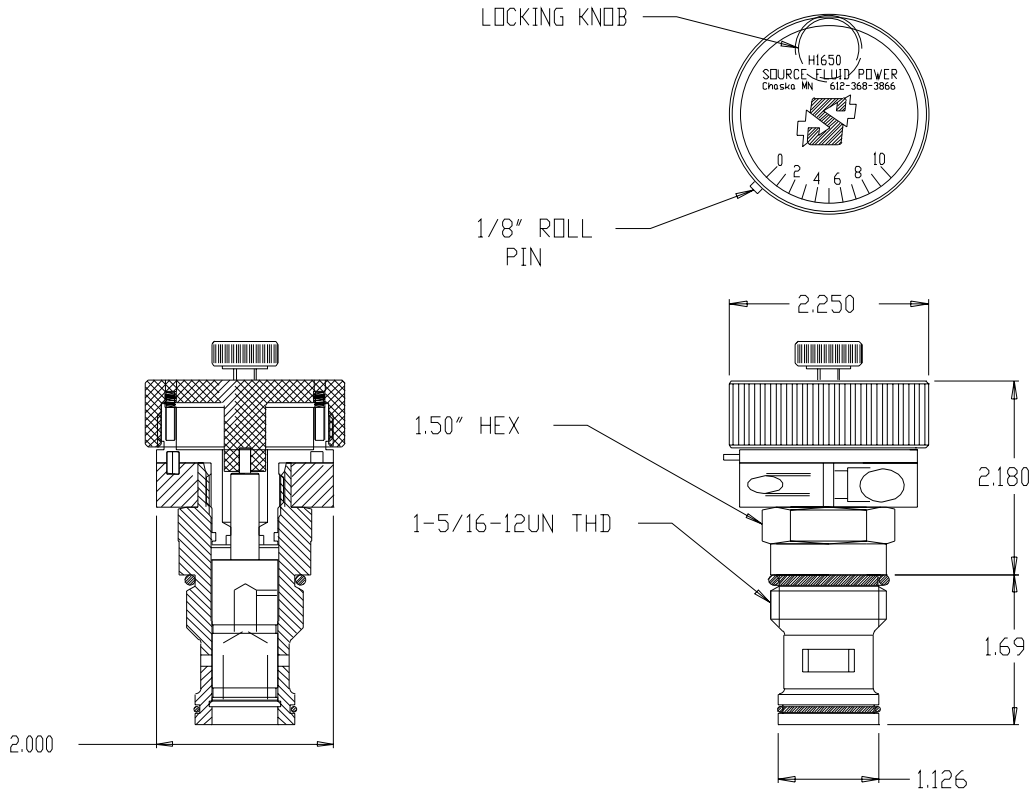
CAVITY

- ☉ SFP10-2, Industry common cavity
7/8-14 UN thread x .625 nose diameter

HOW TO ORDER...



◆ We make it simple to order. Complete the order form and fax it to us. Or, if you have questions, call us. ◆
Telephone: (952) 368-3866 ◆ Fax: (952) 448-3392 ◆ www.sourcefp.com



FUNCTION

- ⊙ Manual flow control for restrictive type flow control
- non pressure compensated.
- 90° rotation

APPLICATIONS

- ⊙ The H 16** is a manual version of the Source Fluid Power -16 size motorized flow control. It can be used to provide alternate manual flow control in any application where the motorized flow control is not required.

OPERATING PRESSURE

- ⊙ 5000 psi

FLOW RANGE

- ⊙ 0-15 GPM
- ⊙ 0-20 GPM
- ⊙ 0-35 GPM
- ⊙ 0-50 GPM

(Maximum flow ratings reflect flow at 100 psi drop when valve is fully open. Valve will handle significantly higher flows at higher pressure drop.)

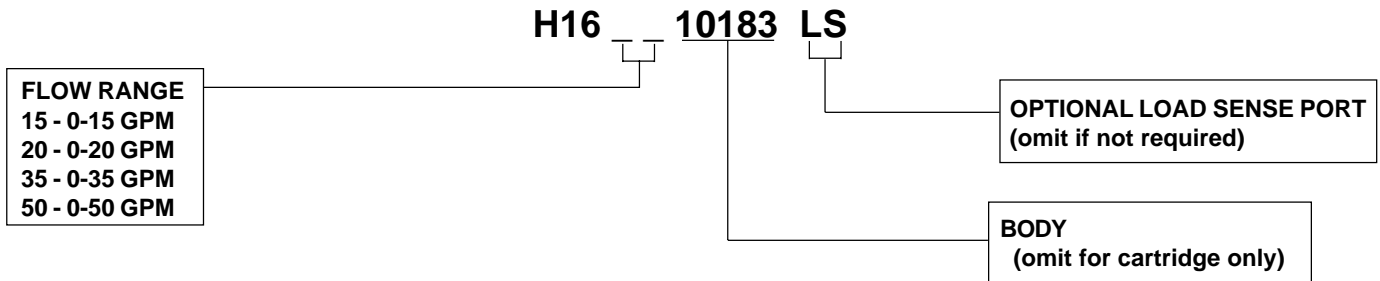
CARTRIDGE WEIGHT

- ⊙ 1.1 lb.

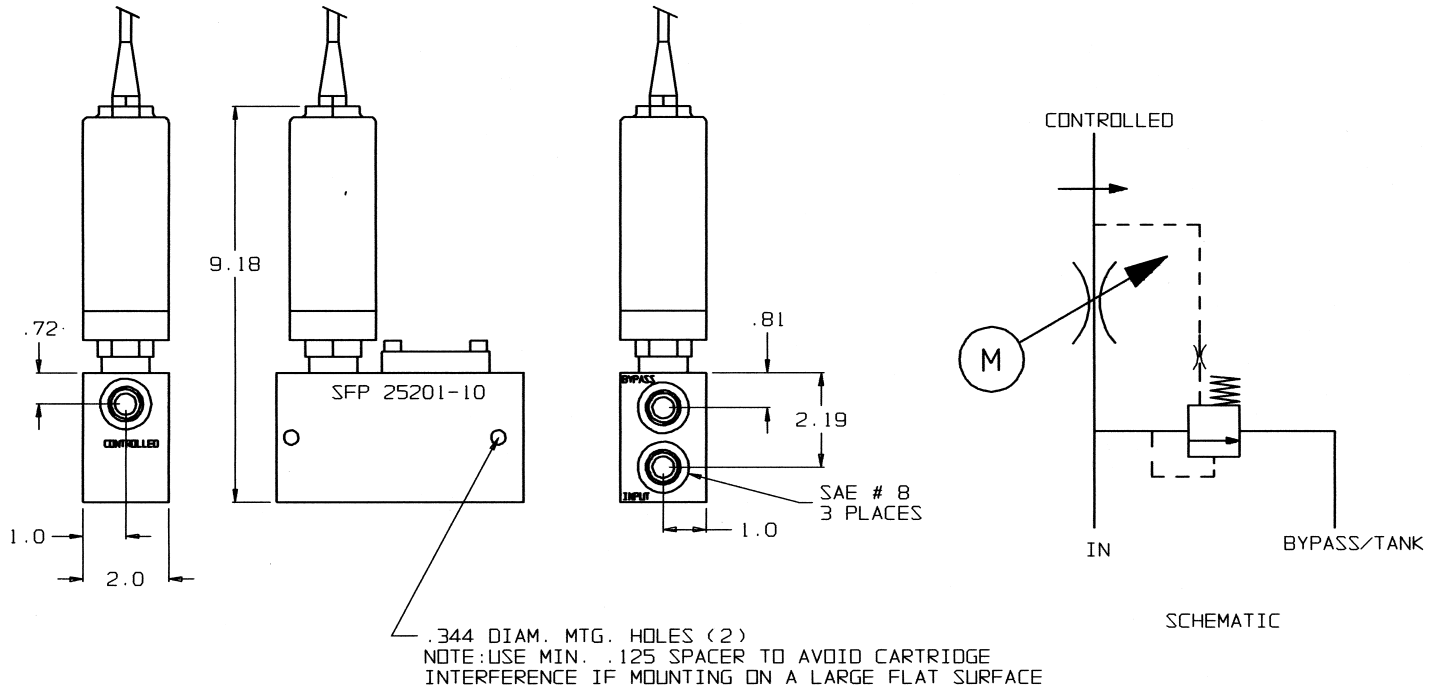
CAVITY

- ⊙ SFP16-2, Industry common cavity
- 1 15/16-12 UN thread x 1.13 nose diameter

HOW TO ORDER...



◆ We make it simple to order. Complete the order form and fax it to us. Or, if you have questions, call us. ◆
 Telephone: (952) 368-3866 ◆ Fax: (952) 448-3392 ◆ www.sourcefp.com



FUNCTION:

⊙ This package incorporates a motorized flow control cartridge and a pressure compensating logic element in a body to provide a priority type adjustable flow divider with pressure compensated flow going to the controlled flow port and excess flow diverted to the bypass. Excess flow can either go directly to tank or to operate another downstream function.
NOTE: If excess flow is used for a downstream function, the pressure required to operate this function should not exceed the primary function pressure.

FLOW RANGE:

- ⊙ 0-3 GPM
- ⊙ 0-5 GPM
- ⊙ 0-10 GPM
- ⊙ 0-15 GPM

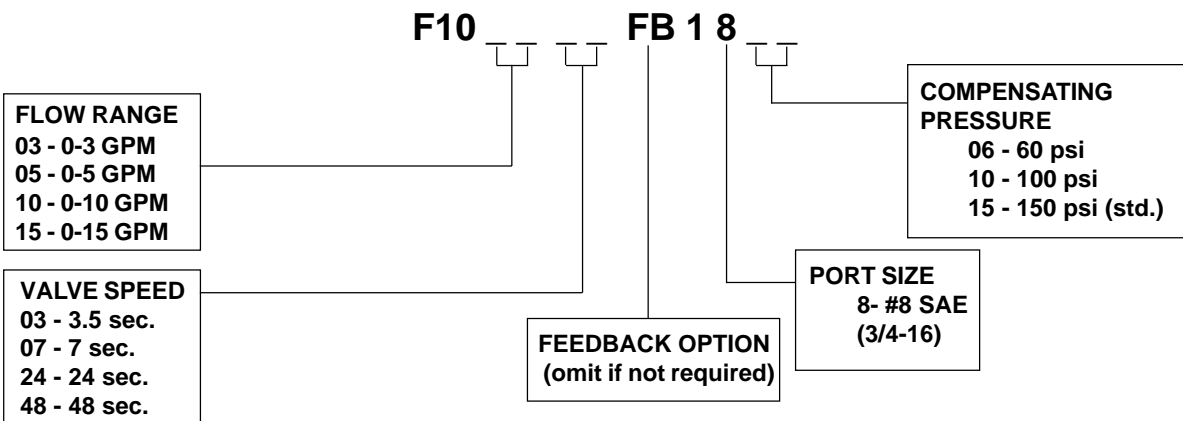
APPLICATIONS:

⊙ Typically used with fixed displacement pumps to control the speed of a hydraulic motor or other function requiring less than full pump flow. These valves can be used in series with bypass and/or return flow from the first valve feeding the second to operate a second or third function. A typical application would be two valves in series to drive the conveyor and spinner on a spreader.

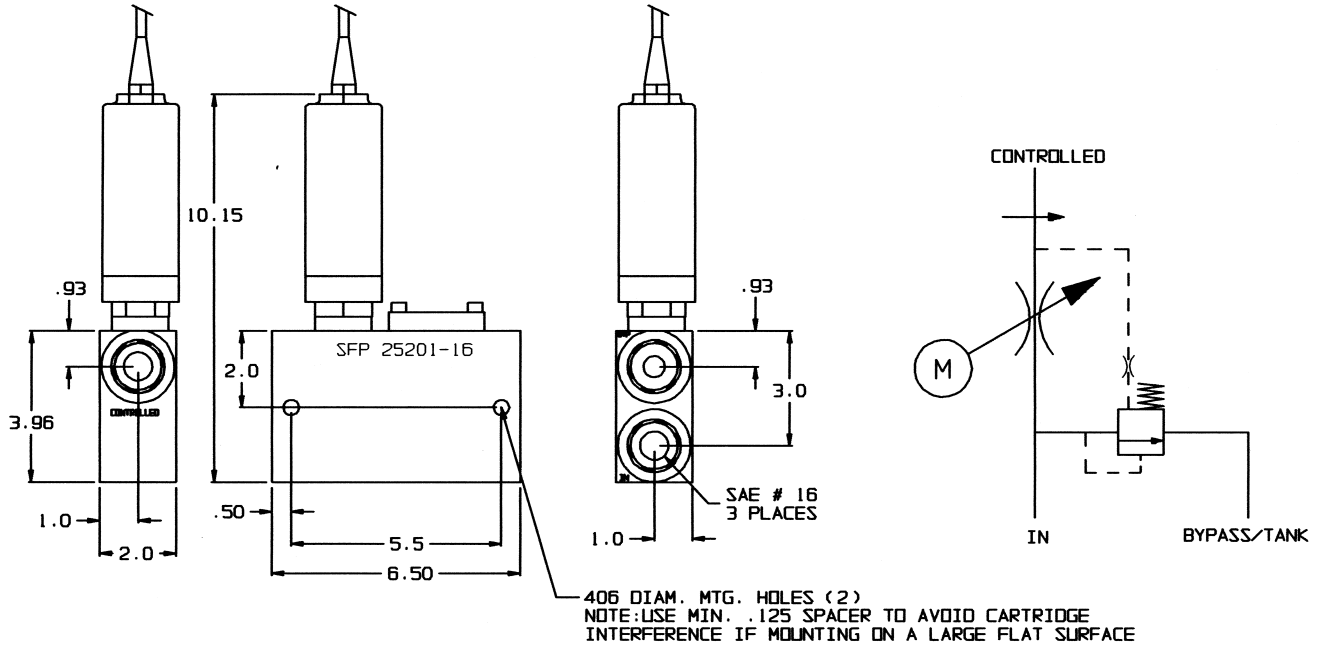
OPERATING PRESSURE:

⊙ 3000 psi maximum

HOW TO ORDER...



◆ **We make it simple to order. Complete the order form and fax it to us. Or, if you have questions, call us.** ◆
Telephone: (952) 368-3866 ◆ Fax: (952) 448-3392 ◆ www.sourcefp.com



FUNCTION:

⊙This package incorporates a motorized flow control cartridge and a pressure compensating logic element in a body to provide a priority type adjustable flow divider with pressure compensated flow going to the controlled flow port and excess flow diverted to bypass. Excess flow can either go directly to tank or to operate another downstream function.
NOTE: *If excess flow is used for a downstream function, the pressure required to operate this function should not exceed the primary function pressure.*

FLOW RANGE:

- ⊙0-15 GPM
- ⊙0-20 GPM
- ⊙0-35 GPM
- ⊙0-50 GPM

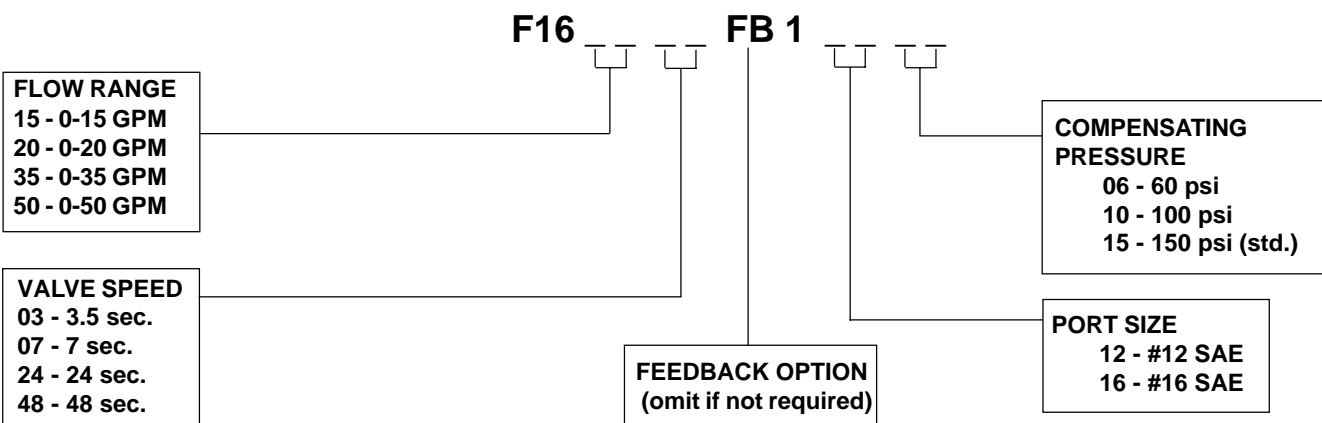
OPERATING PRESSURE

⊙3000 psi maximum

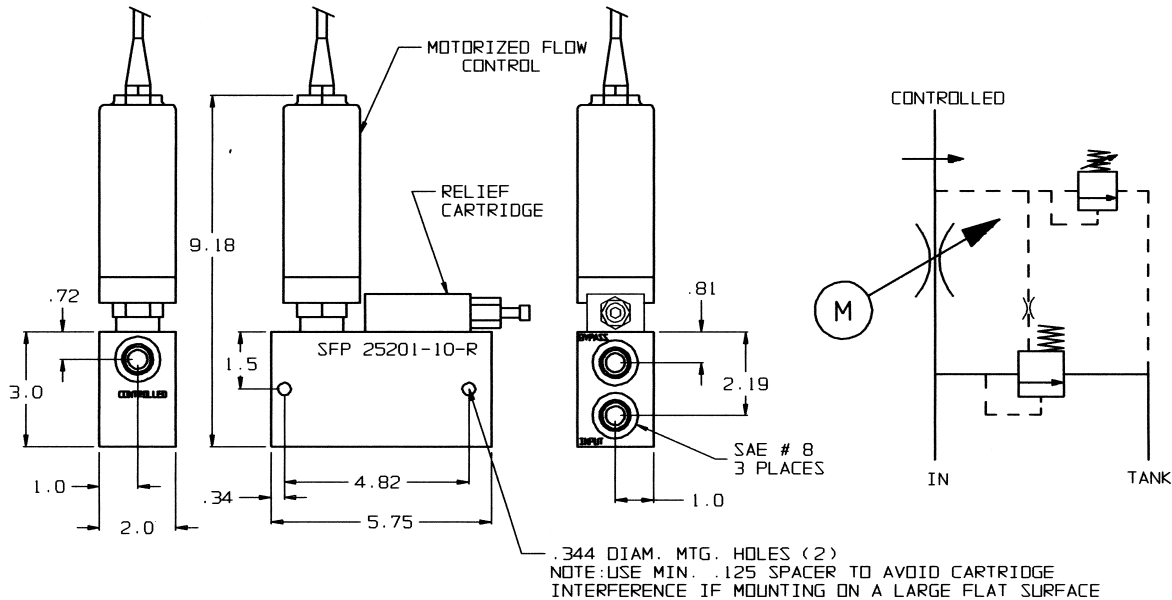
APPLICATIONS:

⊙Typically used with fixed displacement pumps to control the speed of a hydraulic motor or other function requiring less than full pump flow. These valves can be used in series with bypass and/or return flow from the first valve feeding the second to operate a second or third function. A typical application would be two valves in series to drive the conveyor and spinner on a spreader.

HOW TO ORDER...



◆ We make it simple to order. Complete the order form and fax it to us. Or, if you have questions, call us. ◆
 Telephone: (952) 368-3866 ◆ Fax: (952) 448-3392 ◆ www.sourcefp.com



FUNCTION:

©This package adds a pilot relief to the 25201 package which provides a priority flow divider with excess flow diverted to tank. The pilot relief operates in conjunction with the pressure compensating element to provide relief protection of the controlled flow port. When the Motorized Flow Control (MFC) is fully closed, all pump flow is diverted to bypass at the pressure required to open the logic element (typically 150 psi or less, depending on compensating pressure specified).

NOTE: Bypass flow from this valve must always be diverted directly to tank, since any downstream pressure will be added to the relief pressure and could result in severe damage to the system.

APPLICATIONS:

©Typically used to control a single motor or other function in conjunction with a fixed displacement pump. In a single conveyor drive, for example, it eliminates the need for any other control components since the package provides on/off, speed control, and pressure control.

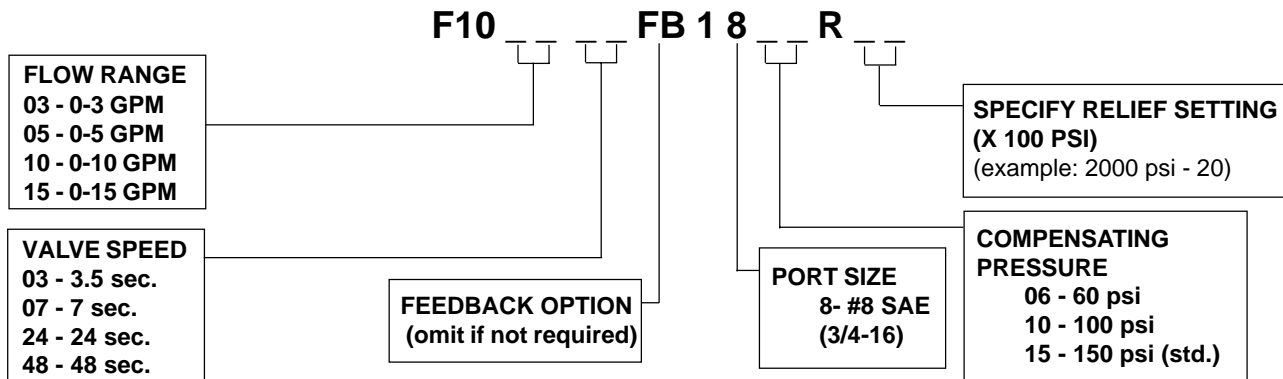
OPERATING PRESSURE:

©3000 psi maximum

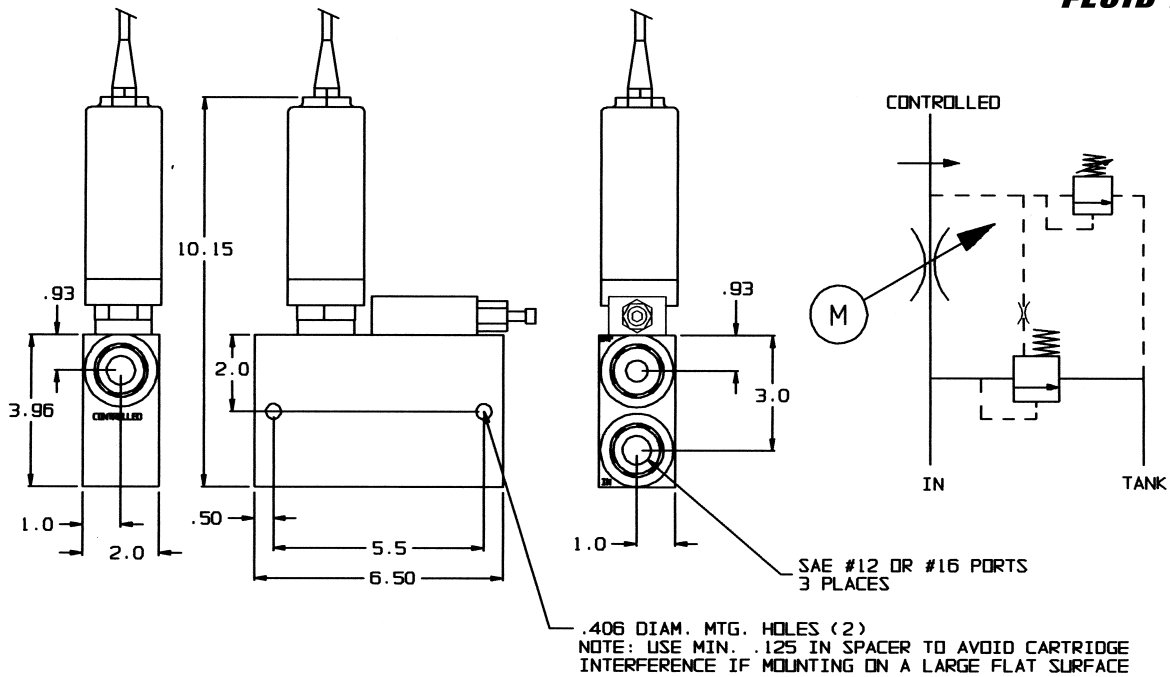
FLOW RANGE:

- ©0-3 GPM
- ©0-5 GPM
- ©0-10 GPM
- ©0-15 GPM

HOW TO ORDER...



◆ We make it simple to order. Complete the order form and fax it to us. Or, if you have questions, call us. ◆
 Telephone: (952) 368-3866 ◆ Fax: (952) 448-3392 ◆ www.sourcefp.com



FUNCTION:

⊙This package adds a pilot relief to the 25201 package which provides a priority flow divider with excess flow diverted to tank. The pilot relief operates in conjunction with the pressure compensating element to provide relief protection of the controlled flow port. When the Motorized Flow Control (MFC) is fully closed, all pump flow is diverted to bypass at the pressure required to open the logic element (typically 150 psi or less, depending on compensating pressure specified).

NOTE: Bypass flow from this valve must always be diverted directly to tank, since any downstream pressure will be added to the relief pressure and could result in severe damage to the system.

APPLICATIONS:

⊙Typically used to control a single motor or other function in conjunction with a fixed displacement pump. In a single conveyor drive, for example, it eliminates the need for any other control components since the package provides on/off, speed control, and pressure control.

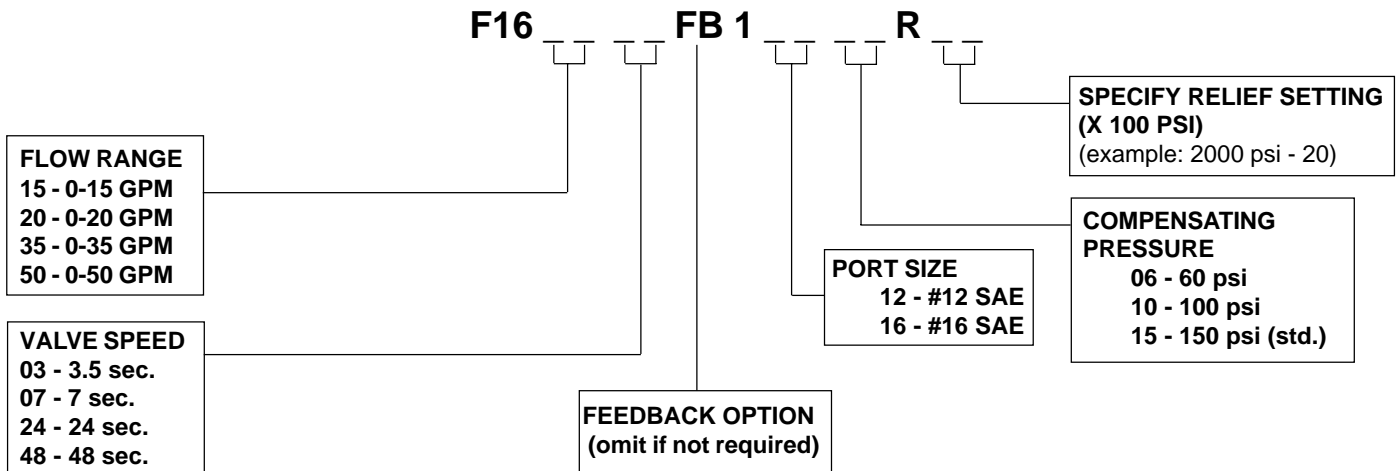
OPERATING PRESSURE:

⊙3000 psi maximum

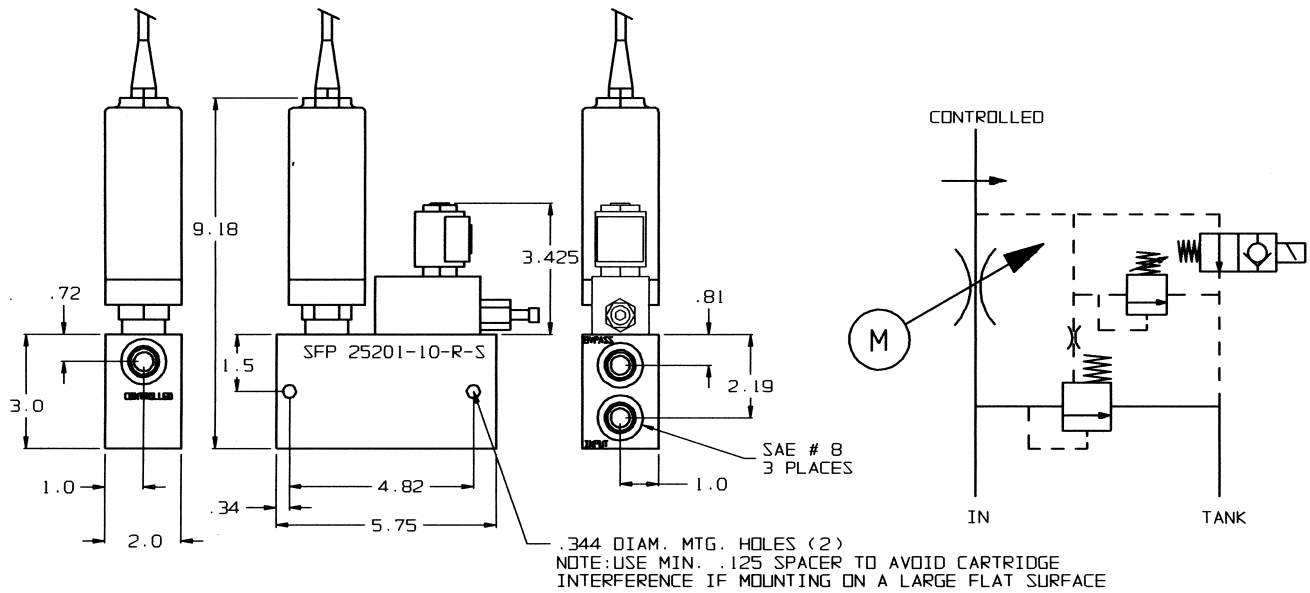
FLOW RANGE:

- ⊙0-15 GPM
- ⊙0-20 GPM
- ⊙0-35 GPM
- ⊙0-50 GPM

HOW TO ORDER...



◆ We make it simple to order. Complete the order form and fax it to us. Or, if you have questions, call us. ◆
 Telephone: (952) 368-3866 ◆ Fax: (952) 448-3392 ◆ www.sourcefp.com



FUNCTION:

⊙This package adds a pilot relief and solenoid dump feature to the standard 25201 package. The standard 25201 provides pressure compensated flow to a priority port with excess flow diverted to tank. The pilot relief works in conjunction with the pressure compensating element to provide relief protection for the priority flow circuit. The solenoid valve vents the logic element when opened, diverting all flow to tank at the pressure required to open (typically 150 psi or less depending on the compensating pressure specified).

NOTE: When solenoid valve is vented, the motor will still see a small pressure equal to the pressure drop through the logic element. If using to control a motor it is good practice to install a back pressure check valve in the return line to offset this pressure and protect the motor from cavitation in an over-running condition.

APPLICATIONS:

⊙This valve is typically used to control a single motor function which must be turned on and off frequently without resetting the flow setting.

OPERATING PRESSURE:

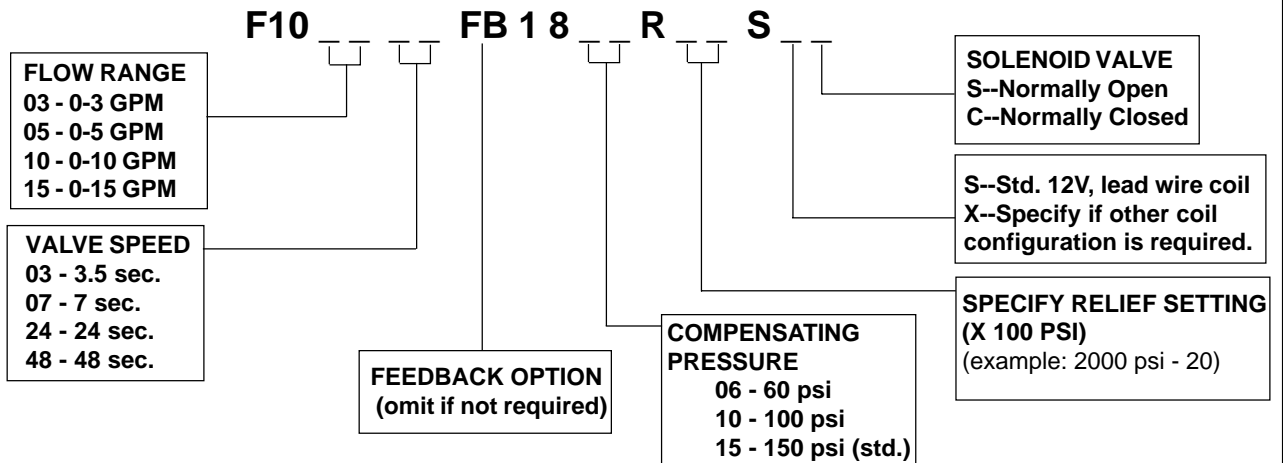
⊙3000 psi maximum

FLOW RANGE:

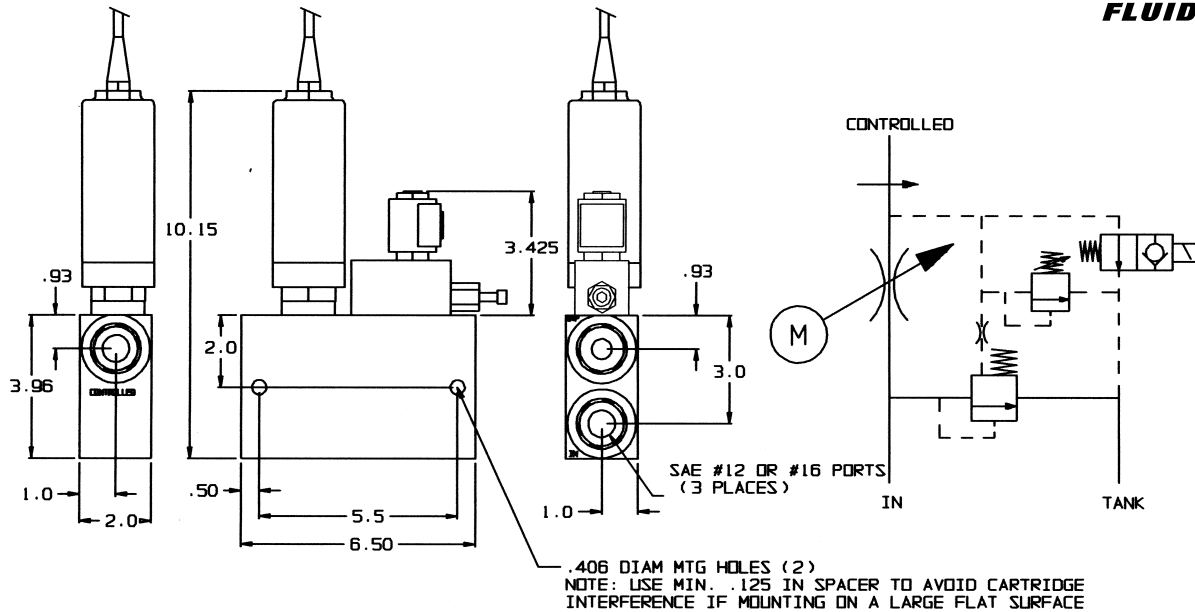
- ⊙0-3 GPM
- ⊙0-5 GPM
- ⊙0-10 GPM
- ⊙0-15 GPM

NOTE: When using this package, bypass oil must always be plumbed directly to tank.

HOW TO ORDER...



◆ We make it simple to order. Complete the order form and fax it to us. Or, if you have questions, call us. ◆
Telephone: (952) 368-3866 ◆ Fax: (952) 448-3392 ◆ www.sourcefp.com



FUNCTION:

⊙This package adds a pilot relief and solenoid dump feature to the standard 25201 package. The standard 25201 provides pressure compensated flow to a priority port with excess flow diverted to tank. The pilot relief works in conjunction with the pressure compensating element to provide relief protection for the priority flow circuit. The solenoid valve vents the logic element when opened, diverting all flow to tank at the pressure required to open (typically 150 psi or less depending on the compensating pressure specified).
NOTE: When solenoid valve is vented, the motor will still see a small pressure equal to the pressure drop through the logic element. If using to control a motor it is good practice to install a back pressure check valve in the return line to offset this pressure and protect the motor from cavitation in an over-running condition.

APPLICATIONS:

⊙This valve is typically used to control a single motor function which must be turned on and off frequently without resetting the flow setting.

OPERATING PRESSURE:

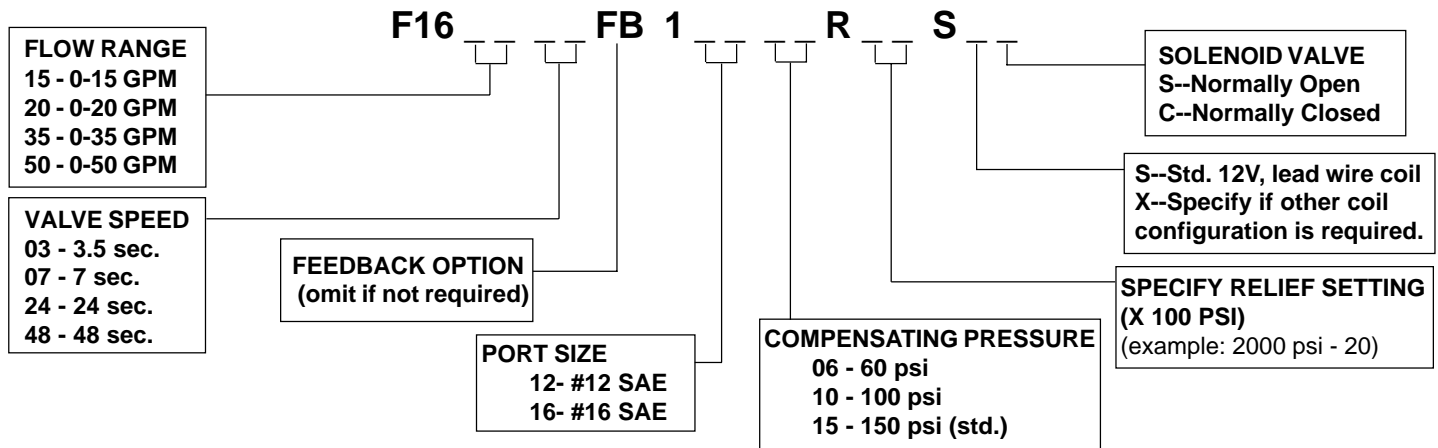
⊙3000 psi maximum

FLOW RANGE:

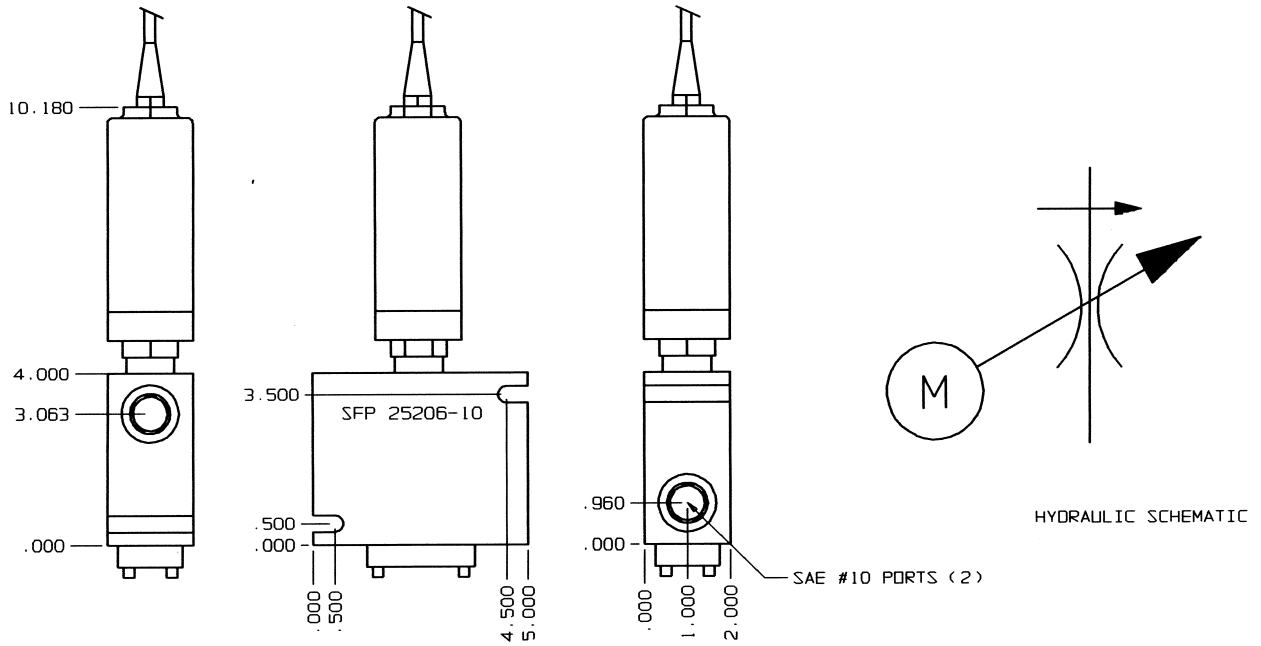
- ⊙0-15 GPM
- ⊙0-20 GPM
- ⊙0-35 GPM
- ⊙0-50 GPM

NOTE: When using this package, bypass oil must always be plumbed directly to tank.

HOW TO ORDER...



◆ We make it simple to order. Complete the order form and fax it to us. Or, if you have questions, call us. ◆
 Telephone: (952) 368-3866 ◆ Fax: (952) 448-3392 ◆ www.sourcefp.com



FUNCTION:

⊙Two-port body for motorized flow control cartridge with pressure compensating element.

OPERATING PRESSURE:

⊙3000 psi maximum

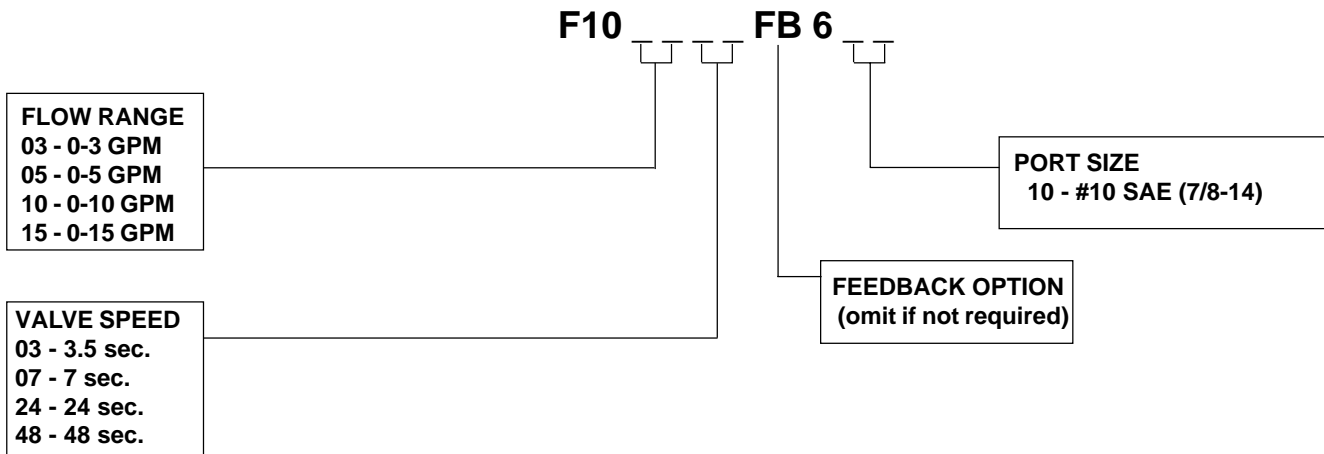
APPLICATIONS:

⊙Pressure compensated restrictive type flow control typically used with pressure compensated pumps and in circuits requiring constant flow under varying load conditions.

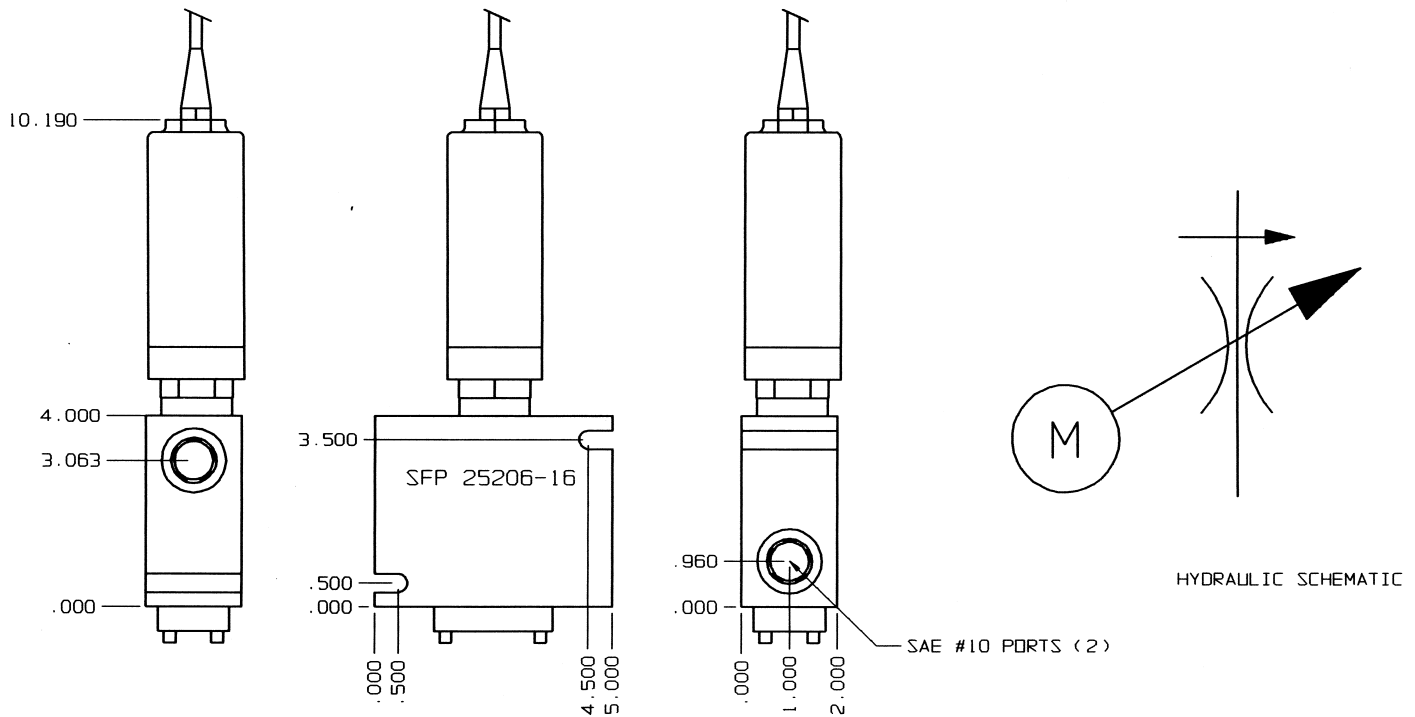
FLOW RANGE:

- ⊙-3 GPM
- ⊙-5 GPM
- ⊙-10 GPM
- ⊙-15 GPM

HOW TO ORDER...



◆ We make it simple to order. Complete the order form and fax it to us. Or, if you have questions, call us. ◆
 Telephone: (952) 368-3866 ◆ Fax: (952) 448-3392 ◆ www.sourcefp.com



FUNCTION:

⊙Two-port body for MFC-16 with pressure compensating element.

OPERATING PRESSURE:

⊙3000 psi maximum

APPLICATIONS:

⊙Pressure compensated restrictive type flow control typically used with pressure compensated pumps and in circuits requiring constant flow under varying load conditions.

FLOW RANGE:

- ⊙0-15 GPM
- ⊙0-20 GPM
- ⊙0-30 GPM

HOW TO ORDER...

F16 - FB 6

FLOW RANGE
 15 - 0-15 GPM
 20 - 0-20 GPM
 30 - 0-30 GPM

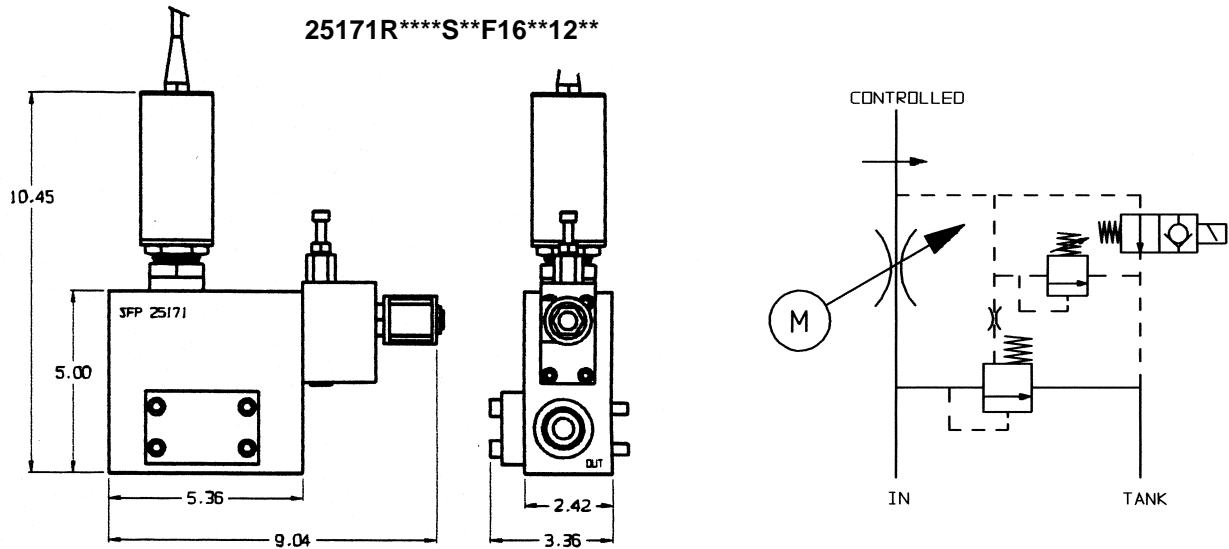
VALVE SPEED
 03 - 3.5 sec.
 07 - 7 sec.
 24 - 24 sec.
 48 - 48 sec.

PORT SIZE
 16 - #16 SAE (1 5/16 - 12)

FEEDBACK OPTION
 (omit if not required)

◆ We make it simple to order. Complete the order form and fax it to us. Or, if you have questions, call us. ◆
 Telephone: (952) 368-3866 ◆ Fax: (952) 448-3392 ◆ www.sourcefp.com

25171R****S**F16**12**



FUNCTION:

- ⊙ This package mounts directly to the manifold mount version of the RS, DT, and DR series White motors. Specify the 05-manifold mount version when ordering an RS motor or the 3D (manifold mount) cover when ordering the DT or DR motor.
- ⊙ In its basic form, the valve provides pressure compensated priority flow metering into the motor with excess flow diverted to the return line. The Motorized Flow Control (MFC) allows motor speed to be controlled remotely using anything from a simple toggle switch to an automatic closed loop electronic system.
- ⊙ With the “R” option added, the valve also provides relief protection from the inlet to outlet ports.
- ⊙ The “R-S” option adds relief and solenoid operated bypass of inlet oil to return. The solenoid bypass function allows the motor to be turned on and off instantly without disturbing the MFC setting.

NOTE: Whenever the “R” option is used, the return line must be routed directly back to tank or care must be taken to insure that the aggregate sum of all pressures in the circuit do not exceed the pressure rating of the motor.

APPLICATIONS:

⊙ Typically used to control a single motor or other function in conjunction with a fixed displacement pump. In a single conveyor drive, for example, it eliminates the need for any other control components since the package provides on/off, speed control, and pressure control.

OPERATING PRESSURE:

⊙ 3000 psi maximum

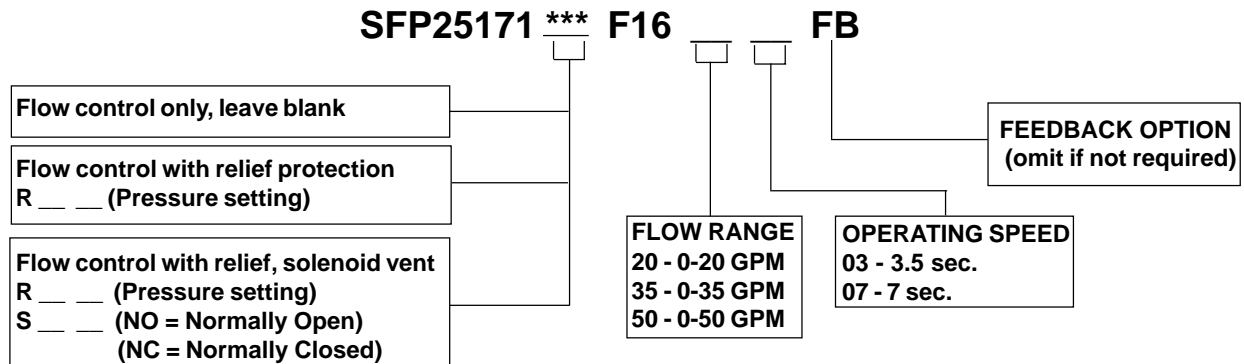
FLOW RANGE:

- ⊙ 0-20 GPM
- ⊙ 0-35 GPM
- ⊙ 0-50 GPM

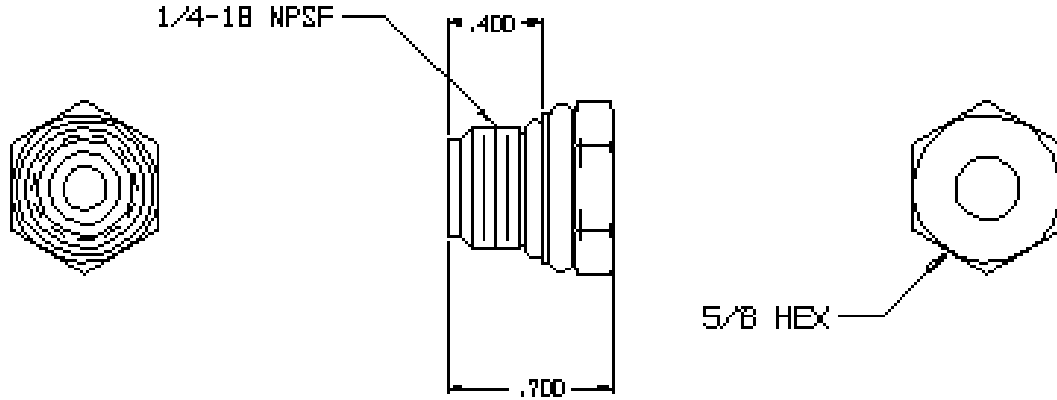
PORTING:

⊙ #12 SAE

HOW TO ORDER...



◆ We make it simple to order. Complete the order form and fax it to us. Or, if you have questions, call us. ◆
 Telephone: (952) 368-3866 ◆ Fax: (952) 448-3392 ◆ www.sourcefp.com



OPERATION:
 VACUUM 1.5 TO 2.5 INCHES OF MERCURY
 PRESSURE 0.5 TO 1.5 PSI

SFP25196
 TANK BREATHER

FUNCTION

⊙SFP25426 is a Dual Check Breather assembly that controls air flow into and out of a reservoir to create a positive pressure. It acts as both a breather and low pressure relief valve.

APPLICATIONS

⊙Filler/breather vents in small power units.

SPECIFICATIONS

⊙Vacuum range: 1.5 to 2.5 In HG
 ⊙Relief pressure: 0.5 to 1.5 PSI

CONSTRUCTION

⊙Porting: 1/4-18NPSF
 ⊙Material: Body - Aluminum
 O-rings - Buna N

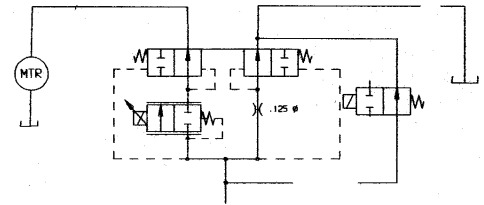
HOW TO ORDER

⊙Contact factory for part number and options

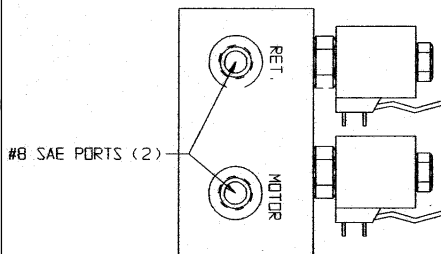
◆ We make it simple to order. Complete the order form and fax it to us. Or, if you have questions, call us. ◆
 Telephone: (952) 368-3866 ◆ Fax: (952) 448-3392 ◆ www.sourcefp.com



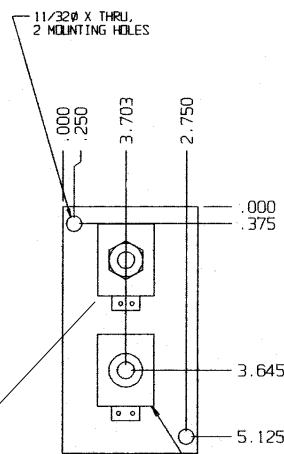
NOTE: • Photograph incorporates Source Fluid Power MFC for ratio adjustment.
 • Drawing illustrates PWM valve for ratio adjustment.



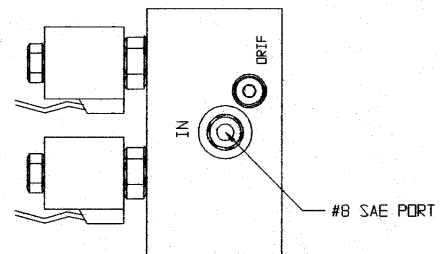
HYDRAULIC SCHEMATIC



2-WAY SOLENOID VALVE TURNS PRE-WET APPLICATOR ON/OFF



PROPORTIONAL FLOW CONTROL VALVE. PWM CARTRIDGE, SOURCE MOTORIZED FLOW CONTROL, OR MANUAL VALVE



FUNCTION

⊙SFP25254 pre-wet valve is a proportional flow divider which, when placed in the return line of a conveyor motor, will bleed off a proportion of return flow to drive a pre-wet pump. Flow to the pre-wet pump varies in proportion to the conveyor motor flow, so it will apply liquid proportionally to the amount of material being spread. The ratio of the divider can be changed remotely allowing pre-wet concentration to be changed on the fly if a Source Motorized Flow Control or PWM valve is used. The adjustment valve can also be any manual flow control valve that fits a 10-2 cavity. Pre-wet flow can be turned on and off using a two-way solenoid valve.

OPERATING PRESSURE

⊙3000 psi max.

FLOW RANGE

⊙10 GPM

CONSTRUCTION

⊙ Anodized aluminum/steel

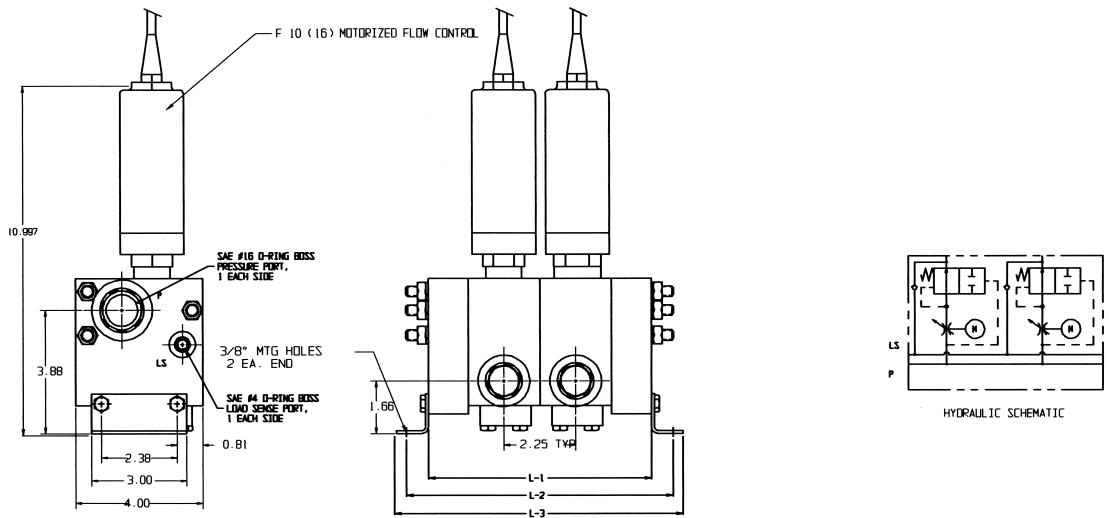
PORTING

⊙Pressure: SAE #8
 ⊙Work and Bypass: SAE #8

HOW TO ORDER

⊙Contact factory for part number and options

◆ We make it simple to order. Complete the order form and fax it to us. Or, if you have questions, call us. ◆
 Telephone: (952) 368-3866 ◆ Fax: (952) 448-3392 ◆ www.sourcefp.com



L-1 = 2.5" + (2.25 X No. of Valves in Bank)
 L-2 = 3.88 + (2.25 X No. of Valves in Bank)
 L-3 = 4.50 + (2.25 X No. of Valves in Bank)

FUNCTION

- ⊙ The 25275 family enables the motorized flow control to be assembled into banks of up to eight individual units providing individual, pressure compensated flow control to each outlet, but still using a single inlet.
- ⊙ Each section incorporates a pressure compensator and a load sense check. Sections are available for both the F10 and F16 size flow controls, and either size can be used in the same assembly.

APPLICATIONS

- ⊙ These valves are ideal for use with a load sense pump requiring a wide range of controlled flows to up to eight individual functions. A typical application would be a batching system employing several different conveyors or liquid pumps running simultaneously to provide a controlled product mix (slurry, feed, etc.).

HOW TO ORDER...

SFP 25 275 - *

When ordering prototypes, specify:
 PN SFP 25 275 - *
 (Number of sections in bank)

List each flow control part number in the order they are to be assembled into the package. Reading from left to right facing outlet port.

NOTE: Once a prototype has been specified and approved, Source will assign an assembly number for each combination.

- ⊙ The package can be used with a pilot operated unloading valve at the inlet to provide load sense type unloading of a fixed displacement pump.

OPERATING PRESSURE

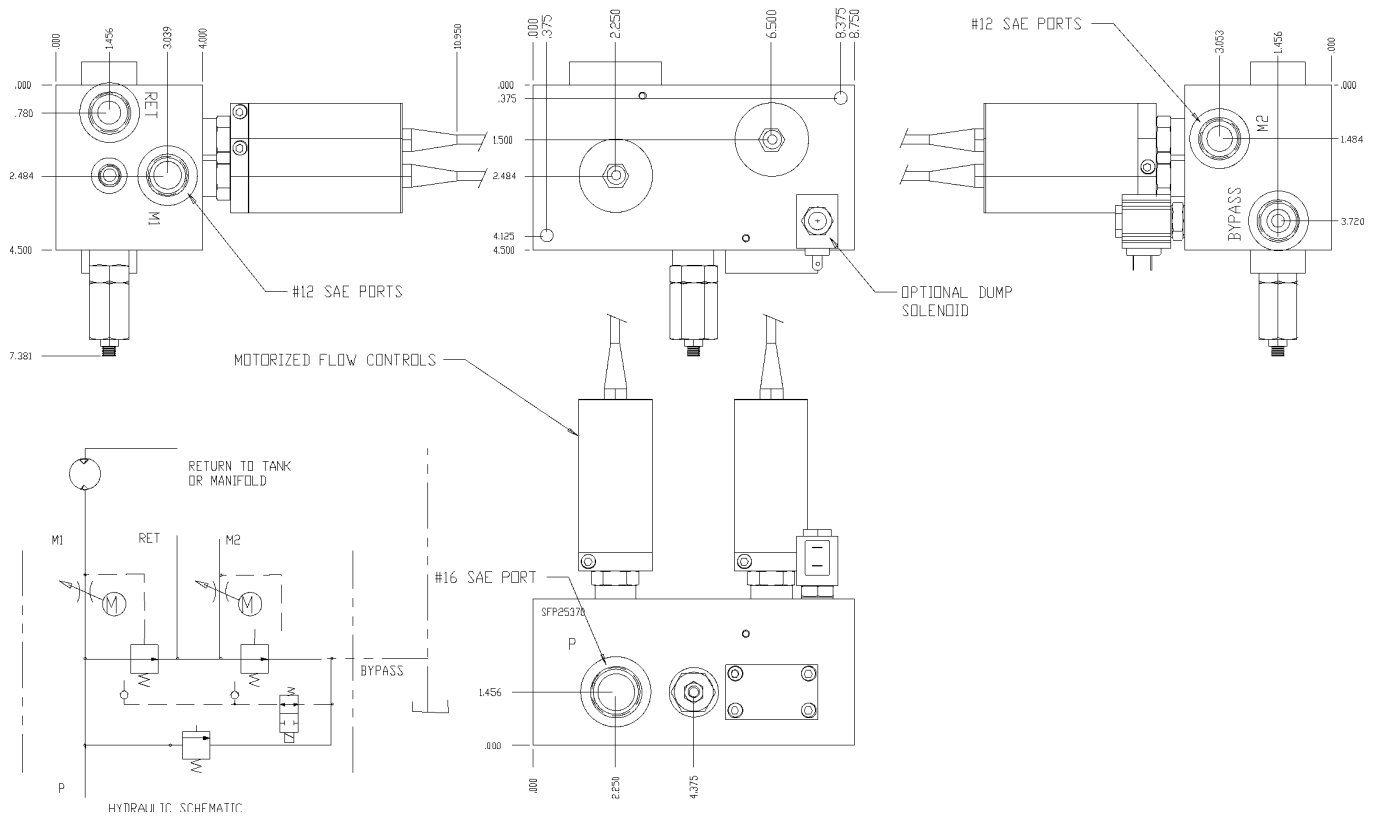
- ⊙ 3000 psi max.

FLOW RANGE

- ⊙ 0-30 GPM - For each individual section depending on flow control cartridge specified.
- ⊙ 0-70 GPM - Combined flow rate into bank.

CONSTRUCTION

- ⊙ Anodized aluminum



FUNCTION

- ⊙The 25370 valve package incorporates two Motorized Flow Control (MFC) valves with pressure compensating elements and a system relief (optional). This package will deliver pressure compensated flow through an MFC to the first priority port with excess flow diverted to a second MFC which controls flow to the second priority outlet. Excess flow from the second function is bypassed to tank.
- ⊙Return flow from the first function can either be routed directly back to tank or into the valve block to be used for the second function. In this case the two functions are operating in series, and total combined pressure may not add up to more than 3000 PSI.
- ⊙A pressure to tank relief valve is available.

APPLICATIONS

- ⊙This valve is ideally suited for dual motor drives in spreader applications where one MFC controls a feed conveyor and another drives a spinner or other spreading device. When used with an electronic controller to control the MFCs, the package provides a compact, cost effective system.

OPERATING PRESSURE

⊙3000 psi max.

FLOW RANGE

⊙30 GPM

CONSTRUCTION

⊙ Anodized aluminum

PORTING

- ⊙Pressure: SAE #16
- ⊙Work and Bypass: SAE # 12

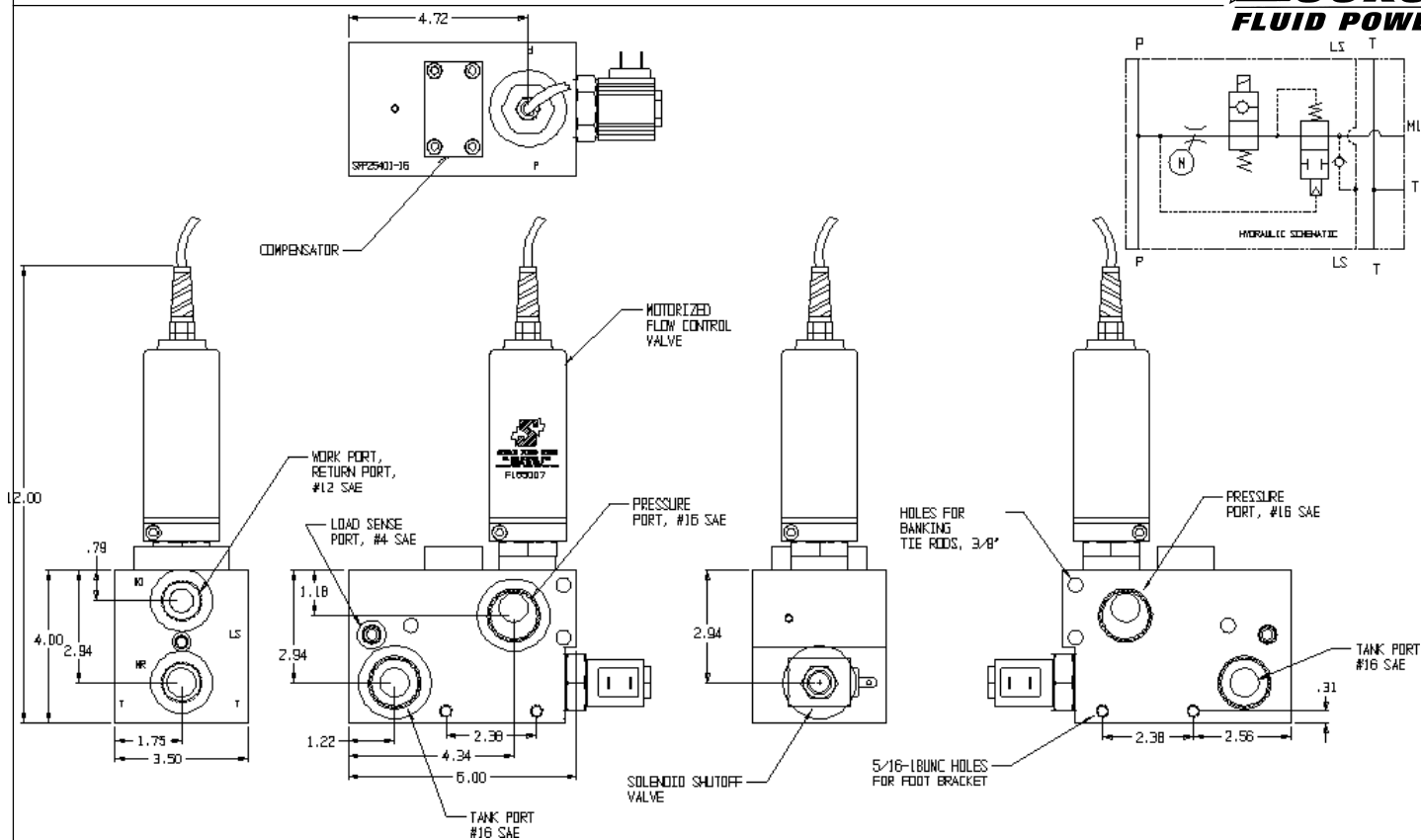
HOW TO ORDER

⊙Contact factory for part number

◆ We make it simple to order. Complete the order form and fax it to us. Or, if you have questions, call us. ◆
 Telephone: (952) 368-3866 ◆ Fax: (952) 448-3392 ◆ www.sourcefp.com

SFP25401

◆ Source Sells Solutions. ◆



FUNCTION

- ⊙ SFP25401 valve sections incorporate a Motorized Flow Control (MFC) with a pressure compensating spool, load sense check and in-line shutoff valve. Sections can be stacked (up to six sections) to provide remote, pressure compensated flow control to each function yet use a single inlet. The in-line solenoid valve allows each function to be turned on and off without having to change the MFC setting. Load sense checks provide a control signal to the pump or bypass element.
- ⊙ Sections are available with either F10 or F16 MFC and shutoff cartridges.

CONSTRUCTION

- ⊙ Anodized aluminum

HOW TO ORDER

SFP25401 *

SPECIFY NUMBER OF SECTIONS IN ASSEMBLY

List each MFC part number in the order they are to be assembled into the package. Reading from left to right facing outlet port.

NOTE: Once a prototype has been specified and approved, Source will assign an assembly number for each combination.

APPLICATIONS

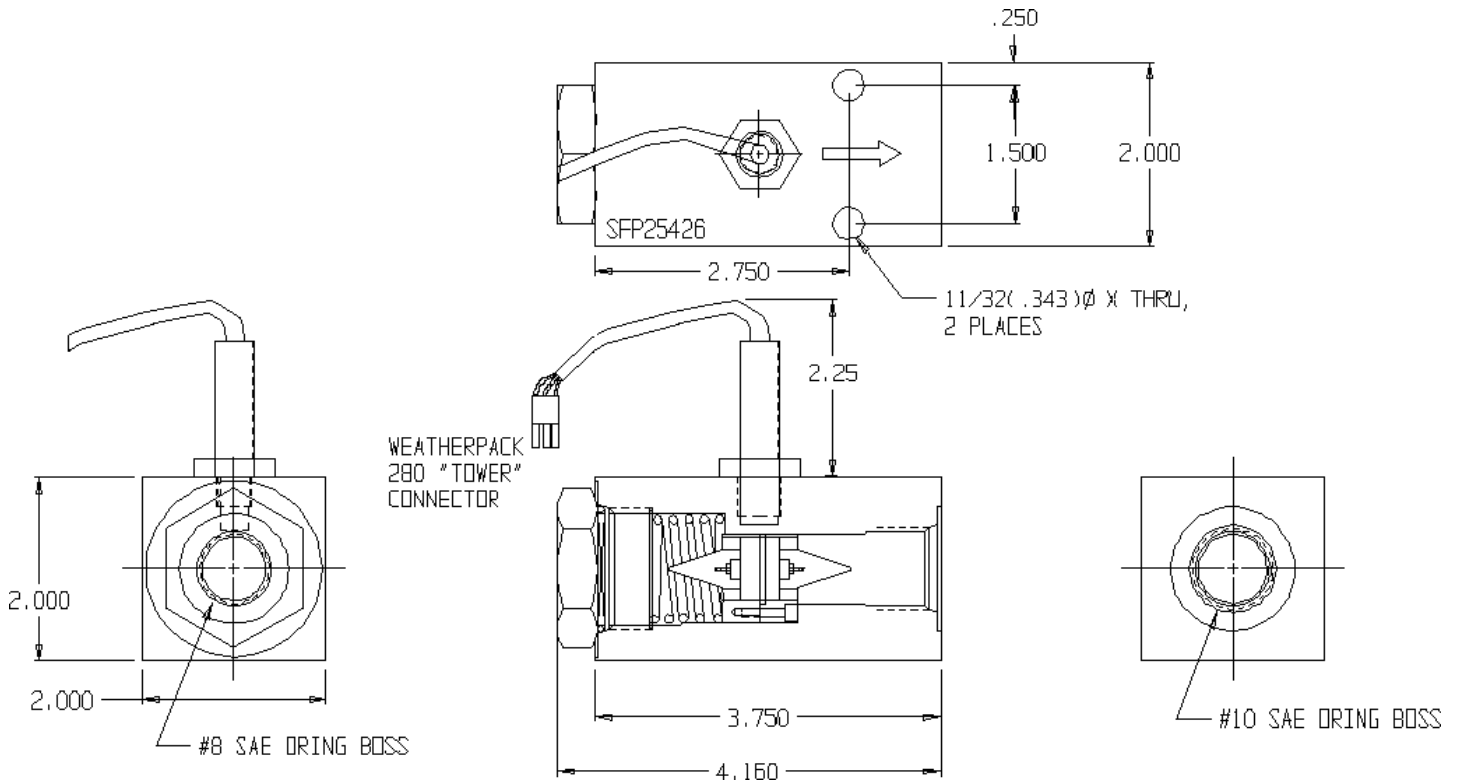
- ⊙ SFP25401 assemblies are ideally suited for applications requiring a wide range of controlled flows to individual functions all supplied by a single pump. A typical application would be a batching system for mixing concrete, cattle feed, or slurry for oilfield workover systems.
- ⊙ Assemblies are best used with load sense pumps or with a by-pass type unloading valve on the inlet.

SPECIFICATIONS

- ⊙ Operating Pressure: 3000 PSI max
- ⊙ Flow Range: Inlet - 50 GPM max
- Individual Section: 30 GPM max.

◆ We make it simple to order. Complete the order form and fax it to us. Or, if you have questions, call us. ◆
Telephone: (952) 368-3866 ◆ Fax: (952) 448-3392 ◆ www.sourcefp.com

Turbine Flow Meter

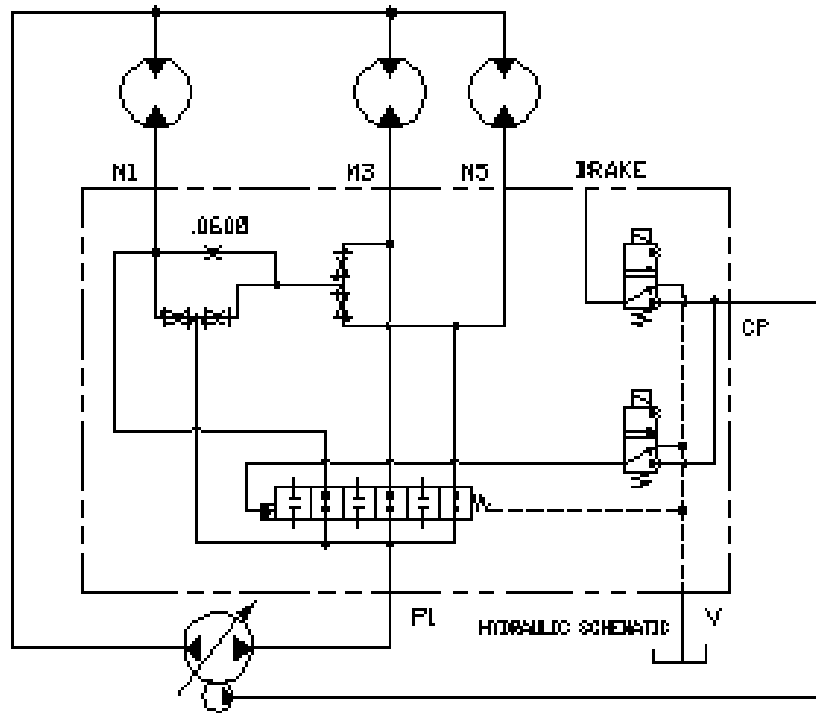


Call Source Fluid Power for Ordering Information.

◆ We make it simple to order. Complete the order form and fax it to us. Or, if you have questions, call us. ◆
Telephone: (952) 368-3866 ◆ Fax: (952) 448-3392 ◆ www.sourcefp.com

Traction Control Valve

See page 26 for complete drawing



FUNCTION

- ⊙ Traction control valve using divider/combiners to provide selectable traction control for three-wheel or four-wheel drive vehicles. When selector valve is de-energized, flow to wheel motors is parallel, allowing oil to take the path of least resistance. This eliminates pressure drop and consequent heat generation when vehicle is on terrain where wheel slip is not a factor.
- ⊙ When operator energizes selector valve, bypass passages are closed, forcing oil through divider/combiners.
- ⊙ A three-way, solenoid operated selector valve provides control for spring applied, hydraulically released brakes.

APPLICATIONS

- ⊙ Three- or four-wheel drive vehicles using separate hydraulic motors for each wheel.

OPERATING PRESSURE

- ⊙ Propulsion circuit: 5000 PSI max.
- ⊙ Pilot circuit: 3000 PSI max.

FLOW RANGE

- ⊙ Propulsion circuit: 0 to 50 GPM
- ⊙ Pilot circuit: 3 GPM max.

PORTING

- ⊙ Inlet: #16 SAE
- ⊙ Motor: #12 SAE
- ⊙ Pilot: #6 SAE

CONSTRUCTION

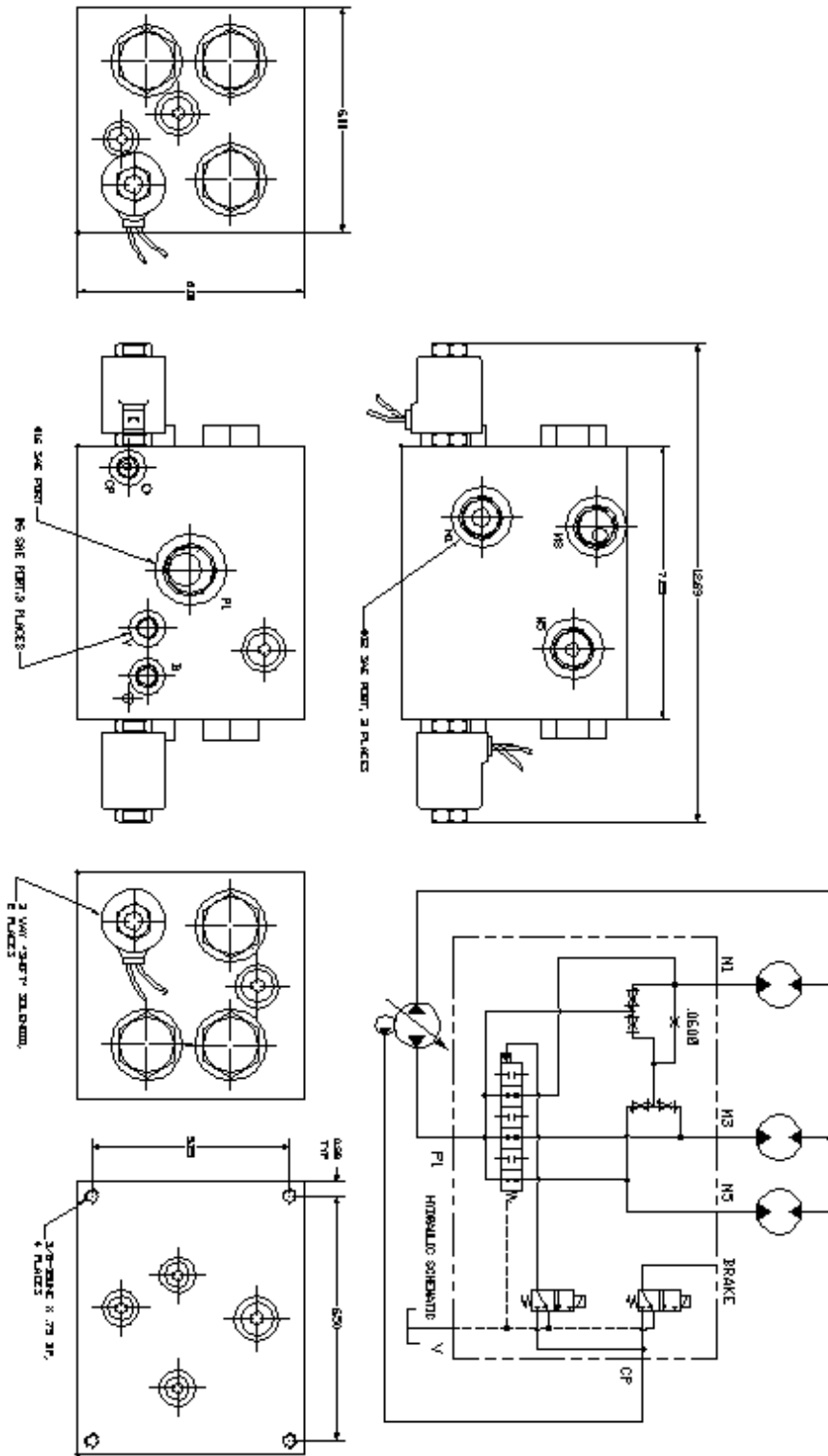
- ⊙ Body material: Ductile iron
- ⊙ Spool material: Steel, heat treated and chromed

HOW TO ORDER

- ⊙ Contact factory for part number and options

◆ We make it simple to order. Complete the order form and fax it to us. Or, if you have questions, call us. ◆
 Telephone: (952) 368-3866 ◆ Fax: (952) 448-3392 ◆ www.sourcefp.com

Traction Control Valve



◆ We make it simple to order. Complete the order form and fax it to us. Or, if you have questions, call us. ◆
Telephone: (952) 368-3866 ◆ Fax: (952) 448-3392 ◆ www.sourcefp.com

MFC Accessories:

At Source Fluid Power, we take pride in innovation and creative solutions to meet customer needs. We'll be happy to develop a package to fit your design needs. Based on your suggestions, we now offer the following as standard accessories to our full product line.

Position Indicator (gauge):

SFP25416 – an analog gauge used to indicate relative position of the Motorized Flow Control. This provides a visual closed loop when being operated with a standard toggle switch.

**It is necessary to have the Feedback option (FB) incorporated in the Motorized Flow Control.*

Comparator Card:

SFP25417 – This card gives the operator the ability to adjust the opening of the Motorized Flow Control Valve. A change in setting of the command potentiometer will drive the valve to a matching setting and hold it.

**It is necessary to have the Feedback option (FB) incorporated in the Motorized Flow Control.*

Turbine Flow Meter:

SFP25426- Source offers a turbine flow meter assembly, which can be built into a manifold to supply a feedback signal for closed loop control systems.

Flow rates are 0.2 to 10 GPM. Also available as free standing, in-line units.

Seal Kits:

Replacement seal kits for the wet end (nose portion) of the Motorized Control Valves

SFP25247 – Seal kit for the Motorized Flow Control in the –10 size

SFP25249 – Seal kit for the Motorized Flow Control in the –16 size

SFP25148 – Seal kit for the Motorized Pressure Control in the –10 size

Motor Mounted Control Valve Package:

SFP25171 – is a motor mounted flow control package incorporating an MFC, pressure compensated element, and optional relief and/or solenoid valve. It mounts directly onto a White Hydraulics model RS, DT or DR motor (manifold mount version).

Double Pole - Double Throw Toggle Switch:

44269 – is a DPDT toggle switch, suitable for controlling any Motorized Flow Control (MFC) or Motorized Pressure Control (MPC) - *momentary contact, center off*

◆ **We make it simple to order. Complete the order form and fax it to us. Or, if you have questions, call us.** ◆

Telephone: (952) 368-3866 ◆ Fax: (952) 448-3392 ◆ www.sourcefp.com

MFC options:

At Source Fluid Power, we take pride in innovation and creative solutions to meet customer needs. We'll be happy to develop a package to fit your design needs. Based on your suggestions, we now offer the following as standard options to our full product line.

Motor Speed Options:

For applications requiring faster response, Source offers a motor speed of 1.75 second, stop to stop at 12V. Applications using this option require factory approval.

Specify the **-02** motor speed option when ordering or requesting a quotation.

(i.e. F10150210182)

*This option may impose a longer lead time to your order

Position Feedback:

This option provides a feedback signal which indicates the relative position of the valve (fully closed to full open or anywhere in between). The signal is provided by an internally mounted variable resistor, providing resistance ranging from 30 Ohms at the fully open position to 240 Ohms when fully closed. This signal may be used to drive a position indicator (analog gauge style) or to provide feedback for a control circuit.

To order this **FB** option, add letter code **FB** to the end of Motorized Control Valve number. (i.e. F101503**FB**10182)

* See catalog *ACCESSORIES* pages for gauges SFP25416 or comparator card SFP25417

Cable Length: (our standard cable length is 18")

To add additional cable length to your Motorized Control Valve, simply add the suffix: **C__** (list the cable length in inches).

(i.e. F101503**C80**10182)

Wire Connectors:

We offer Weather-Pack series (female shroud)* connectors installed.

To order, add the suffix **WP** to the end of the Motorized Control Valve number.

(i.e. F101503**WP**)

*Other styles are available upon request.

Special Flow Ranges:

Valves can be supplied with different metering slots to fit special applications (example, 0-1 GPM), contact the factory for details and pricing

Special Seals / Material:

< Optional viton or ethylene propylene rubber (EPR) seals are available on special order.

< Stainless steel valves suitable for used with water or other fluids are also available on special order.

◆ We make it simple to order. Complete the order form and fax it to us. Or, if you have questions, call us. ◆

Telephone: (952) 368-3866 ◆ Fax: (952) 448-3392 ◆ www.sourcefp.com



Telephone: 952-368-3866 • Fax: 952-448-3392 • www.sourcefp.com
331 Lake Hazeltine Drive • Chaska, MN 55318