

**FUNCTION:**

- Two-port body for motorized flow control cartridge with pressure compensating element.

**OPERATING PRESSURE:**

- 3000 psi maximum

**APPLICATIONS:**

- Pressure compensated restrictive type flow control typically used with pressure compensated pumps and in circuits requiring constant flow under varying load conditions.

**FLOW RANGE:**

- 0-5 GPM
- 0-15 GPM

**HOW TO ORDER...**

**F10**

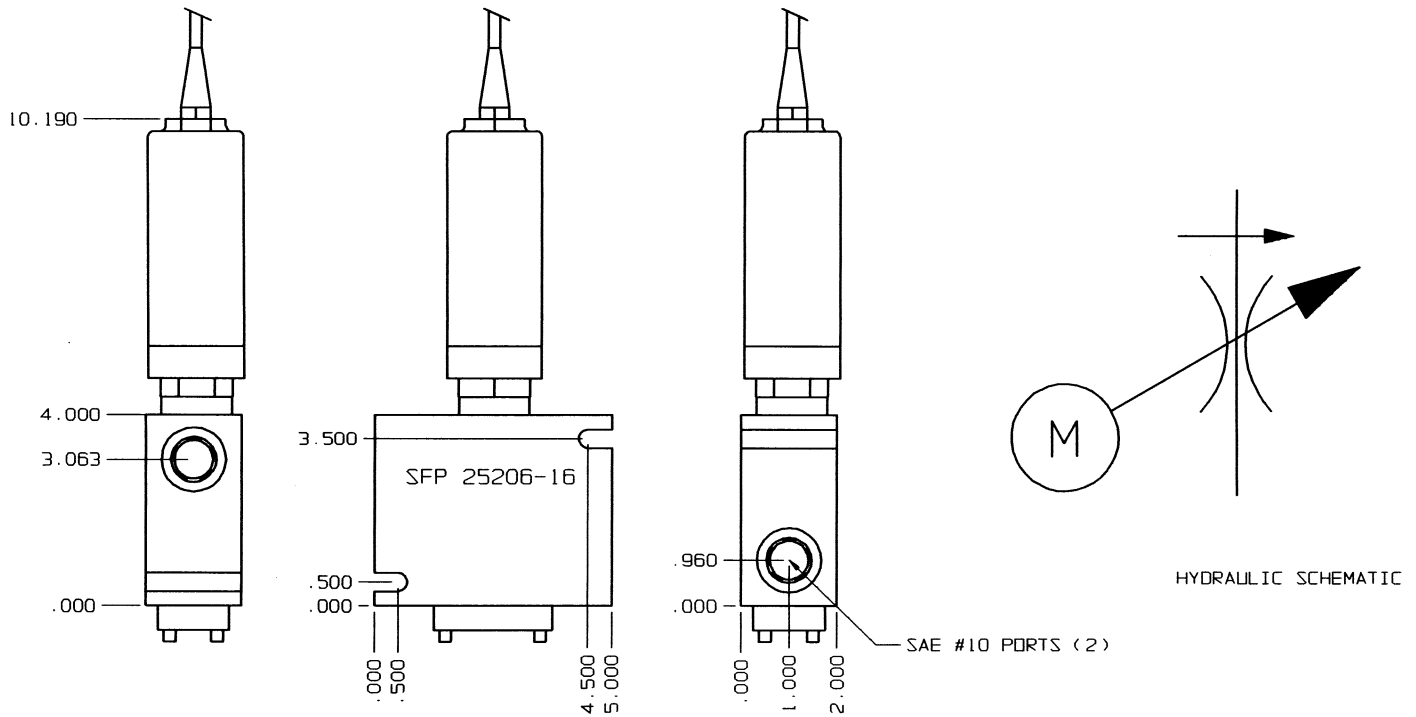
**6**

**FLOW RANGE**  
05 - 0-5 GPM  
15 - 0-15 GPM

**PORT SIZE**  
10 - #10 SAE (7/8-14)

**VALVE SPEED**  
03 - 3.5 sec.  
07 - 7 sec.  
24 - 24 sec.  
48 - 48 sec.

◆ We make it simple to order. Complete the order form and fax it to us. Or, if you have questions, call us. ◆  
Telephone: (952) 368-3866 ◆ Fax: (952) 448-3392



**FUNCTION:**

- Two-port body for MFC-16 with pressure compensating element.

**OPERATING PRESSURE:**

- 3000 psi maximum

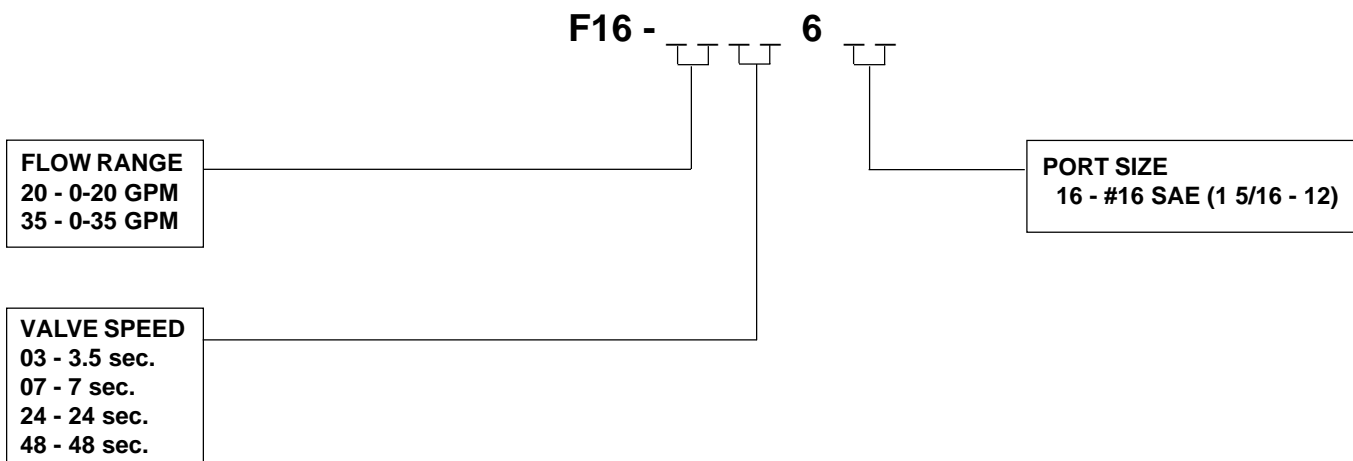
**APPLICATIONS:**

- Pressure compensated restrictive type flow control typically used with pressure compensated pumps and in circuits requiring constant flow under varying load conditions.

**FLOW RANGE:**

- 0-35 GPM

**HOW TO ORDER...**



◆ We make it simple to order. Complete the order form and fax it to us. Or, if you have questions, call us. ◆  
 Telephone: (952) 368-3866 ◆ Fax: (952) 448-3392